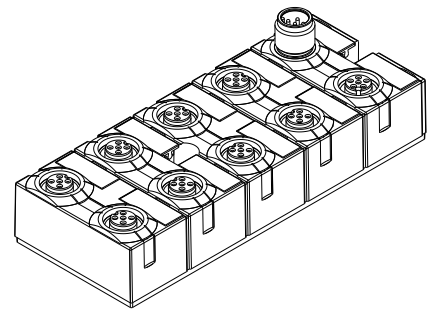


Cube67 DIO16 E 8xM12 Art.-No. 56601

Cube Slave IP67

[M12 socket, contact 4] → 8 inputs or 8 outputs

[M12 socket, contact 2] → 8 diagnosis or 8 function inputs or 8 outputs



EMC

EN 61131-2 Product standard

EN 61000-4-2 ESD	: Contact ± 4 kV, air ± 8 kV
EN 61000-4-3 RF-Field & GSM	: 10 V/m
EN 61000-4-4 Burst	: ± 2 kV
EN 61000-4-5 Surge	: asym./symm. ± 500 V (DC input) asym. ± 1 kV (Signal connections)
EN 61000-4-6 HF-asymmetric	: 10 V
EN 61000-4-8 Magnetic field 50 Hz	: 30 A/m
EN 55011 Emission	: QP 30 dBµV/m (30 - 230 MHz) QP 37 dBµV/m (230 - 1000 MHz) (class B)

Ambient conditions

Operating temperature	: 0 °C ... +55 °C
Storage temperature	: -25 °C ... +70 °C
Enclosure type according to EN 60529	: IP67
Permissible air pressure (operation)	: 70 kPa to 106 kPa (up to 3000 m above sea level)
Permissible air pressure (storage/transport)	: 70 kPa to 106 kPa (up to 3000 m above sea level)

Please note:

The Cube67 field bus system is very robust and due to the high protection class IP67 it is protected from dust, dirt, and most liquids without an additional housing. Cube 67 is specially designed for harsh industrial applications directly in machines and systems. The field bus system is not suitable for outdoor use, continuous operation in liquids or high pressure wash downs.

Mechanical ambient conditions

Oscillation according to EN 60068 Part 2-6	: 10 – 58 Hz; const. amplitude 0.35 mm 58 – 150 Hz; const. acceleration 15 g
Shock according to EN 60068 Part 2-27	: Amplitude 50 g, 11 ms duration

Connection possibilities

Internal system connection In	: M12 male plug connector 6-pin
Internal system connection Out	: M12 female plug connector 6-pin
Sensor / Actuator	: 8x M12 female connector 5-pin

Miscellaneous

Dimensions (L x W x H) in mm	: 126 x 50 x 34,5 mm
Mounting dimension in mm	: 75± 0.5 mm
Weight	: Approx. 210g

Bus data

Transfer protocol	: internal System
Transfer rates	: 1 Mbaud
Addressing	: automatic

				Idx	Datum	Gepr.	Data sheet					
				a	10.04.03	RBa			Cube67 DIO16 E 8xM12			
f	ATEX entfällt	22-06-15	el	f	22-06-15	el						
e	Luftdruckangabe hinzu	25.09.12	sb	Ges			Art.-No. 56601 <table border="1" style="float: right; margin-left: 20px;"> <tr> <td>Blatt</td> <td>1</td> </tr> <tr> <td>2 Bl.</td> <td></td> </tr> </table>		Blatt	1	2 Bl.	
Blatt	1											
2 Bl.												
d	ATEX	28.02.06	M.H.									
c	EN 50178 entfällt	27.10.04	as									
b	Change of standard	25.05.04	as									
Idx.	Änderung	Datum	Nam									
a	Erstausgabe	10.04.03	RBa	56601_db_e_f.doc								

Power supply


Operation voltage U_B and Sensor power supply 24VIN	: 24 V DC (must always be connected)
Actuator power supply 24V	: 24 V DC
Current per PIN	: Max 4 A
Operation voltage range	: 18 ... 30 V DC
Current consumption (without inputs)	: ≤ 50 mA
Sensor supply	: Max. 200 mA per socket
Short circuit protection for sensors	: Multi-fuse, : up to 100 mA load: Automatic start-up : from 100 mA load: A reset is required
Multi-fuse reaction time (time to trip)	: 1s at $I_k \geq 1$ A and 23°C
Reverse polarity protection, inputs	: Yes
Connector	: M12 (Max. 0,75 mm ²)

Inputs / Diagnosis

Delay time for signal change	: 2 up to 5 ms
Input characteristics	: EN 61131-2, Type 2

Outputs

Actuator current load	: max. 0.5 A per actuator
Connector	: M12 (Max. 0,75 mm ²)
Cycle frequency	: max. 50 Hz
Lamp load	: max. 10 W

				Idx	Datum	Gepr.	Data sheet	
				a	10.04.03	RBa		Cube67 DIO16 E 8xM12
f	ATEX entfällt	22-06-15	el	f	22-06-15	el		
e	Luftdruckangabe hinzu	25.09.12	sb	Ges				
d	ATEX	28.02.06	M.H.					
c	EN 50178 entfällt	27.10.04	as				Blatt	
b	Change of standard	25.05.04	as				Art.-No. 56601	2
Idx.	Änderung	Datum	Nam				2 Bl.	
a	Erstausgabe	10.04.03	RBa	56601_db_e_f.doc				