

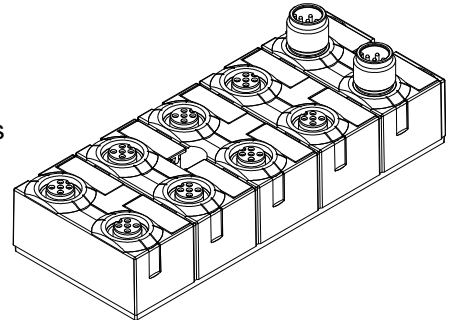
Vom EDV-System heruntergeladene bzw. ausgedruckte Dokumente besitzen informativen Charakter und unterliegen nicht dem Änderungsdienst / Documents downloaded by the EDP system and/or printed out have only an informative character and are not subject to
 Technische Änderungen vorbehalten / We reserve the right to change this specification
 Schutzvermerk ISO 16016 beachten / Refer to protection notice ISO 16016

Cube67 DIO16 C 8xM12 Art. No.: 56600

Cube Slave IP67

[M12 socket, contact 4] → 8 inputs or 8 outputs

[M12 socket, contact 2] → 8 diagnosis or 8 function inputs or 8 outputs



EMC

EN 61131-2 Product standard

- EN 61000-4-2 ESD : Contact ± 4 kV, air ± 8 kV
- EN 61000-4-3 RF-Field & GSM : 10 V/m
- EN 61000-4-4 Burst : ± 2 kV
- EN 61000-4-5 Surge : asym./symm. ± 500 V (DC input)
asym. ± 1 kV (Signal connections)
- EN 61000-4-6 HF-asymmetric : 10 V
- EN 61000-4-8 Magnetic field 50 Hz : 30 A/m
- EN 55011 Emission : QP 30 dBµV/m (30 - 230 MHz)
: QP 37 dBµV/m (230 - 1000 MHz) (class B)

Ambient conditions

- Operating temperature : 0° C ... +55 °C
- Storage temperature : -25 °C ... +70 °C
- Enclosure type according to EN 60529 : IP67
- Permissible air pressure (operation) : 70 kPa to 106 kPa (up to 3000 m above sea level)
- Permissible air pressure (storage/transport) : 70 kPa to 106 kPa (up to 3000 m above sea level)

Please note:

The Cube67 field bus system is very robust and due to the high protection class IP67 it is protected from dust, dirt, and most liquids without an additional housing. Cube 67 is specially designed for harsh industrial applications directly in machines and systems. The field bus system is not suitable for outdoor use, continuous operation in liquids or high pressure wash downs.

Mechanical ambient conditions

- Oscillation according to EN 60068 Part 2-6 : 10 – 58 Hz; const. amplitude 0.35 mm
58 – 150 Hz; const. acceleration 15 g
- Shock according to EN 60068 Part 2-27 : Amplitude 50 g, 11 ms duration

Connection possibilities

- Internal system connection : M12 male plug connector 6-pin
- Additional Power for Actuator : M12 male plug connector 6-pin
- Sensor / Actuator : 8x M12 female connector 5-pin

Miscellaneous

- Dimensions (L x W x H) in mm : 126 x 50 x 34,5 mm
- Mounting dimension in mm : 75 ± 0.5 mm
- Weight : Approx. 210g

Bus data

- Transfer protocol : internal System
- Transfer rates : 1 MBaud
- Addressing : automatic

				Idx	Datum	Gepr.	Data sheet	
				a	10.04.03	RBa	Cube67 DIO16 C 8xM12	
f	ATEX entfällt	22-06-15	el	f	22-06-15	el		
e	Luftdruckangabe hinzu	25.09.12	sb	Ges				
d	ATEX + NORM	01.03.06	M.H.					
c	EN 50178	02.11.04	as				Art.-No. 56600	Blatt
b	Change of standard	26.05.04	as				1	
Idx.	Änderung	Datum	Nam				2 Bl.	
a	Erstausgabe	10.04.03	RBa	56600_db_e_f.doc				

Power supply

- Operation voltage U_B and Sensor power supply 24VIN : 24 V DC (must always be connected)
- Actuator power supply 24VL : 24 V DC
- Actuator power supply 24VR : 24 V DC
- Current per PIN : Max 4 A
- Operation voltage range : 18 ... 30 V DC
- Current consumption (without inputs) : ≤ 50 mA
- Sensor supply : Max. 200 mA per socket
- Short circuit protection for sensors : Multi-fuse, up to 100 mA load: Automatic start-up from 100 mA load: A reset is required


- Connector : M12 (Max. 0,75 mm²)
- Multi-fuse reaction time (time to trip) : 1s at I_K >= 1 A and 23°C
- Reverse polarity protection, inputs : Yes

Inputs / Diagnosis

- Delay time for signal change : 2 up to 5 ms
- Input characteristics : IEC 61131-2, Type 2

Outputs

- Actuator current load : max. 0.5 A per actuator
- Connector : M12 (Max. 0,75 mm²)
- Cycle frequency : max. 50 Hz
- Lamp load : max. 10 W

				Idx	Datum	Gepr.	Data sheet	
				a	10.04.03	RBa	Cube67 DIO16 C 8xM12	
f	ATEX entfällt	22-06-15	el	f	22-06-15	el		
e	Luftdruckangabe hinzu	25.09.12	sb	Ges				
d	ATEX + NORM	01.03.06	M.H.					
c	EN 50178	02.11.04	as				Art.-No. 56600	Blatt 2
b	Change of standard	26.05.04	as					
Idx.	Änderung	Datum	Nam					
a	Erstausgabe	10.04.03	RBa	56600_db_e_f.doc				2 Bl.