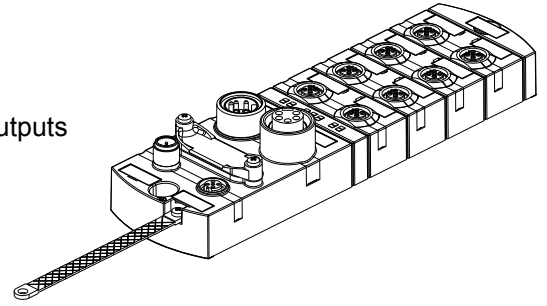


Replacement for 55329, 55389, 55326, 55327, 55328

Profibus Slave IP67 with
 [M12 socket, contact 4] → 8 inputs or 8 outputs
 [M12 socket, contact 2] → 8 diagnosis or 8 function inputs or 8 outputs



EMC

- EN 61131-2
- EN 61000-4-2 ESD : Contact ± 4 kV, air ± 8 kV
- EN 61000-4-3 RF-Field + GSM : 10 V/m
- EN 61000-4-4 Burst : ± 2 kV
- EN 61000-4-5 Surge : asym./symm. ± 500 V (DC net input)
asym. ± 1 kV (Signal connections)
- EN 61000-4-6 HF-asymmetric : 10 V
- EN 61000-4-8 Magnetic field 50 Hz : 30 A/m
- EN 61000-6-4 Interference field strength : QP 40 dBµV/m (30 - 230 MHz)
QP 47 dBµV/m (230 - 1000 MHz) Class A

Ambient conditions

- Normal operating temperature : 0°C ... +55°C
- Extended operating temperature : -10°C ... +60°C
- Extended operating temperature since HW 1.03 : range 1: 0°C ... +60°C or range 2: -25°C ... +30°C
- Storage temperature : -25°C ... +70°C
- Enclosure type according to EN 60529 : IP 67

Please note:

The MVK metal field bus modules are very robust and due to the high protection class IP67 they are protected from dust, dirt, and most liquids without an additional housing. MVK-Metal is specially designed for harsh industrial applications directly in machines and systems. The field bus modules are not suitable for outdoor use, continuous operation in liquids or high pressure wash downs.

Mechanical ambient conditions


- Oscillation according to EN 60068 Part 2-6 : 10 – 58 Hz; const. amplitude 0,35 mm
58 – 150 Hz; const. acceleration 20 g
- Shock according to EN 60068 Part 2-27 : Amplitude 50 g, 11 ms duration

Connection possibilities

- Supply cable : 2 x connector 7/8" (male and female connector)
- Data cable : 2 x M12 connector 5-pin
(male and female connector reverse-key coding)
- Inputs and diagnosis inputs : 8 x 5-pin M12 female connectors

Miscellaneous

- Dimensions (L x W x H) : 225 x 63 x 42 mm
- Mounting dimension : 208,5 ± 0,5 mm
- Weight : ca. 760 g

				Idx	Datum	Gepr.	Data sheet		
g	Ident. number	08.05.15	as	a	11.04.11	hi	MVK-MP DIO8 (DIO8) Servicemodule		
f	Neues Gehäuse	27.06.13	sb	g	08.05.15	pl			
e	since HW 1.03	06.03.13	sb	Ges					
d	since HW 1.02	26.02.13	sb				Art.-No. 553290		
c	since 1.01/without UL	24.08.12	sb						Blatt
b	-25°C	10.07.12	sb						1
Idx.	Änderung	Datum	Nam	Dateiname: 553290_db_e_g			2 Bl.		
a	Erstausgabe	11.04.11	sb						

Bus data

Transfer protocol : Profibus-DP acc. to DIN 19245
 Transfer rates : 9,6/19,2/45,45/93,75/187,5/500/
 1500/3000/6000/12000 kBaud
 Baudrate recognition : automatic
 Modes : Sync. mode, Freeze mode are supported
 Addressing : 1 to 99 with BCD rotary switch
 Ident. number : 0 x 0598 hex

Power supply


Operation voltage U_B : 24 V DC
 Operation voltage range : 18 ... 30 V DC
 Current consumption (without inputs) : \leq 150 mA
 Sensor supply : max. 200 mA per socket
 Short circuit protection for sensors : Multifuse,
 up to 100 mA load: automatic start-up
 from 100 mA load: a reset is required
 Multi-fuse reaction time (time to trip) : 1s at $I_K \geq 1$ A and 23 °C
 Core cross section : 7/8" (max. 1.5 mm²)
 Reverse polarity protection, inputs : yes

Inputs / Diagnosis

Delay time for signal change : 2 to 5 ms
 Input characteristics : EN 61131-2, Type 2

Outputs

Actuator current load : max. 1.6 A per actuator
 Cable length : With 0,75 mm² max. 10 m
 With 0,34 mm² max. 5 m
 Core cross section : M12 (max. 0.75 mm²)
 Cycle frequency : max. 50 Hz
 Lamp load : max. 10 W

				Idx	Datum	Gepr.	Data sheet	
g	Ident. number	08.05.15	as	a	11.04.11	hi	MVK-MP DIO8 (DIO8) Servicemodule	
f	Neues Gehäuse	27.06.13	sb	g	08.05.15	pl		
e	since HW 1.03	06.03.13	sb	Ges				
d	since HW 1.02	26.02.13	sb					
c	since 1.01/without UL	24.08.12	sb				Art.-No. 553290	Blatt
b	-25°C	10.07.12	sb				2	
Idx.	Änderung	Datum	Nam				2 Bl.	
a	Erstausgabe	11.04.11	sb	Dateiname: 553290_db_e_g				