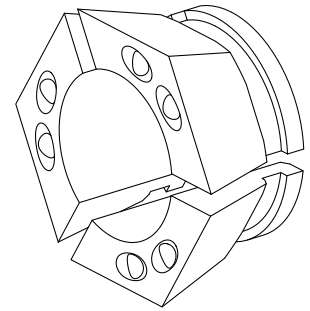


Clamping head TOP65 G D=61,00mm

Technical data

| | |
|----------------------------------|-------------------|
| Clamping device size | SK65 |
| manufacturer product line | TOPlus chuck |
| Clamping type | smooth |
| Nominal diameter (mm) | 61 Millimeter |
| Clamping method | External clamping |
| manufacturer product line | Hainbuch |



No 3-side view is currently available for this product

Documents

No downloads available for this product