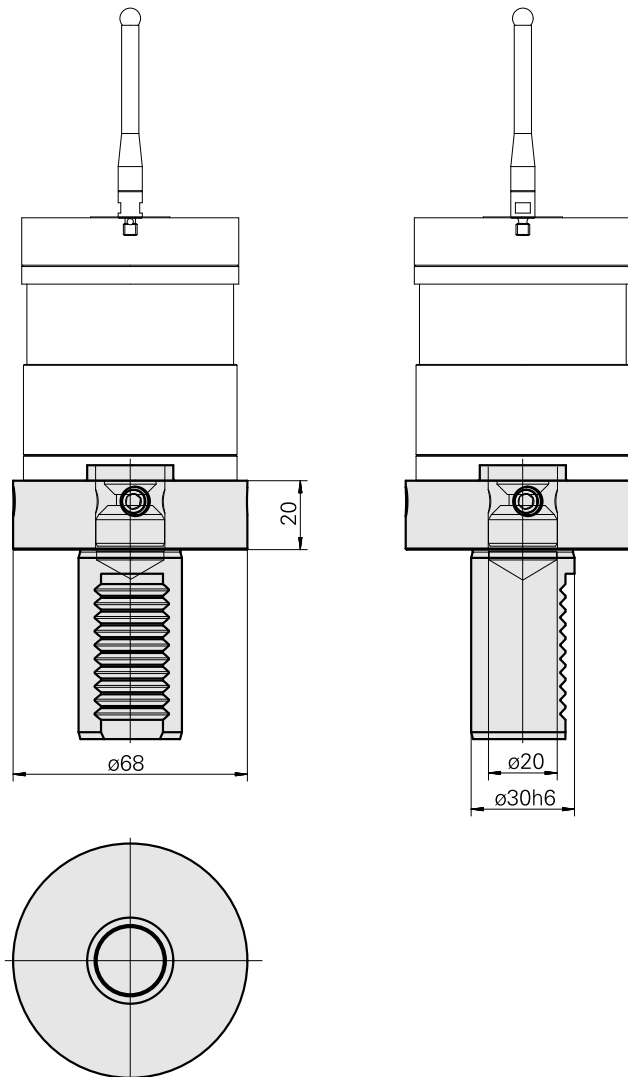


Probe holder VDI 30 Renishaw D20

Technical data

| | |
|-----------------|-------------------------|
| Shank VDI | VDI 30 |
| Drive | not live |
| Fixation VDI | none |
| Mounting | Renishaw D20 |
| reversible 180° | no |
| Data carrier | check tool station bore |
| X [mm] | 20 (0.79") |
| Y [mm] | - |
| Z [mm] | - |



Documents

No downloads available for this product

Accessories

Required for operation

[Probe holder](#)

Product ID : 12146926

Previous product ID :

[Push-button insert](#)

Product ID : 12133466

Previous product ID :

[Probe](#)

Product ID : 10338967

Previous product ID : 487542.1441

Optional accessories

Other accessories

[Case A-2033-7001](#)

Product ID : 10259626

Previous product ID : 487542.0911
