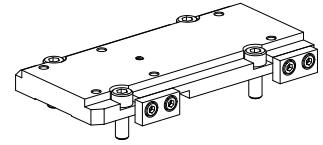


Distance plate MS52

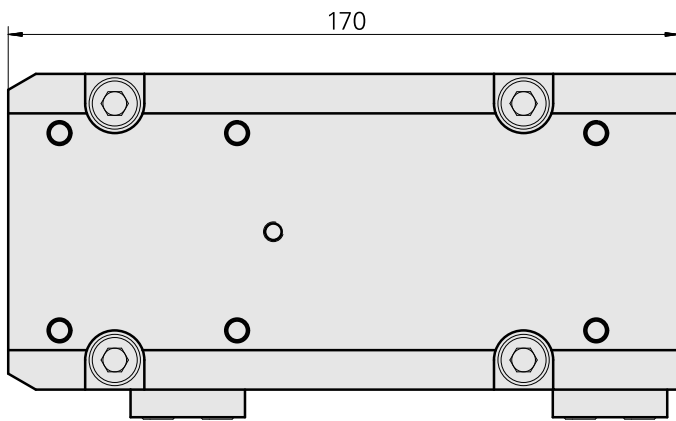
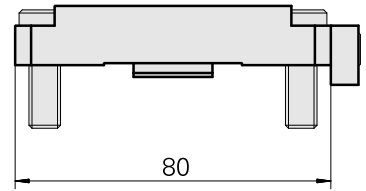
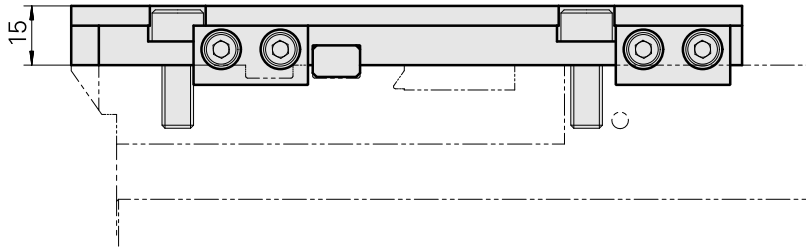
Technical data

Slide system MS	MS52
Drive	not live
Fixation MS	Splined key/pin
X [mm]	–
Y [mm]	–
Z [mm]	–
INDEX TRAUB products	MS52-6.3



Note

Only for gear unit 12095023



Documents

No downloads available for this product