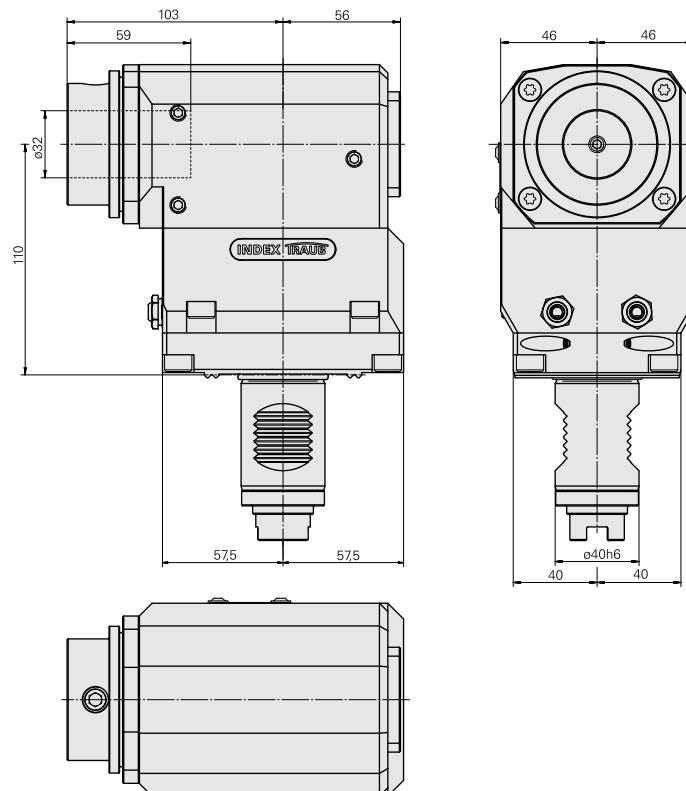
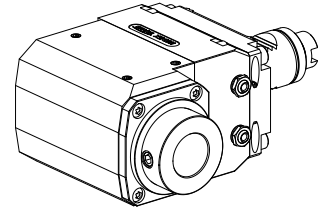


## Milling unit VDI 40 1:1 D32 (1.26 ")

### Technical data

Shank VDI	VDI 40
Drive	Dog clutch
Fixation VDI	W serration
Speed ratio	1:1
Cooling	external, internal optional
Pressure	80 bar
Mounting	D32
reversible 180°	yes
Direction	same as drive direction
X [mm]	110 (4.33")
Y [mm]	—
Z [mm]	103 (4.06)
INDEX TRAUB products	B400 • B500 • G250 • G300.2 • G320.2 • G400.2 • G420 • G500 • TNA400.2 • TNA500.2 • G520 • B400.3 • TNA400.3 • B500.3 • TNA500.3



## Documents

### Product notes

[DE \(pdf\)](#)

[EN \(pdf\)](#)

[FR \(pdf\)](#)

[PT \(pdf\)](#)

## Accessories

### Optional accessories

#### Tool holder accessories

#### [Coolant Supply, internal 160 bar](#)

Product ID : 10236572

Previous product ID : W9990284

---

#### [Coolant Supply, internal 80 bar](#)

Product ID : 10687215

Previous product ID : W9990290

---

#### Other accessories

#### [Mounting sleeve with collar D32](#)

Product ID : 10505810

Previous product ID : W63221.40--

---

#### [HOLLOW SCREW M14x1 M14x1](#)

Product ID : 10105238

Previous product ID : W67530.0818

---

#### [BUSHING 10 D x 6 D x 12,5](#)

Product ID : 10670360

Previous product ID : W67530.0824

---

Coolant Nozzle

Product ID : 11031912

Previous product ID : W67500.3208

---

Sealing kit

Product ID : 12181693

Previous product ID :

---

Blanking plug MIT O-RING 479105.1200

Product ID : 10988240

Previous product ID : W68540.2014

---