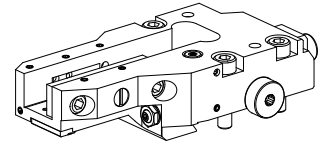


## Grooving tool and stop holder MS32/MS40

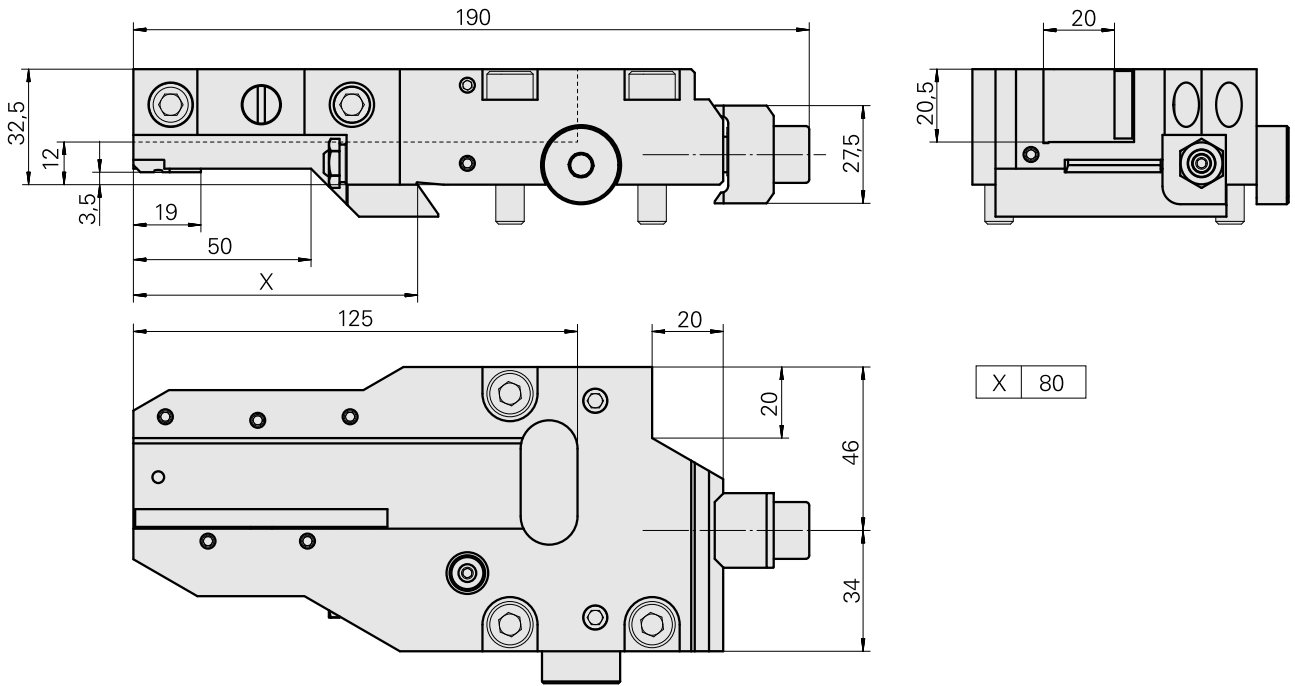
### Technical data

<b>Slide system MS</b>	MS32/MS40
<b>Drive</b>	not live
<b>Fixation MS</b>	Dovetail
<b>Cooling</b>	external and internal
<b>Pressure</b>	80 bar
<b>Direction</b>	right-handed run
<b>Mounting</b>	Square 20x20
<b>X [mm]</b>	80 (3.15")
<b>Y [mm]</b>	–
<b>Z [mm]</b>	12 (0.47)
<b>INDEX TRAUB products</b>	MS40-8



### Note

Can be used only in position 7.1! Stop plate is not included!



---

## Documents

No downloads available for this product

## Accessories

### Optional accessories

#### Tool holder accessories

#### [Tube, L=100 mm \(3.93"\)](#)

Product ID : 10303677

Previous product ID : W9990910

TH accessories  
category  
Cooling lubricant tube

Mounting  
M5

#### [Angle, Height 4 mm, Width 4 mm](#)

Product ID : 10328835

Previous product ID : WK1110.16

TH accessories  
category  
Compensation bracket

Mounting  
Square 20x20

#### Other accessories

#### [SOCKET HEAD SCREW](#)

Product ID : 10559508

Previous product ID : 410260.0412

---

#### [Coolant nozzle D10; M6](#)

Product ID : 10562562

Previous product ID : W00019.0153

---

#### [Hollow screw M12x1](#)

Product ID : 10757766

Previous product ID : W02013.0001

---

Bush 4x8x12

Product ID : 10831938

Previous product ID : W02010.0002

---

Ball nozzle D8xM5

Product ID : 10392450

Previous product ID : W02019.0002

---

Stop plate

Product ID : 12124573

Previous product ID :

---

Countersunk screw M 4x 8/T20 verzinkt 402314 8

Product ID : 10586100

Previous product ID : 410362.0408

---

COVER (Anschlagdeckel/Verschleißst.)

Product ID : 10900388

Previous product ID : W95061.5214

---