

Distance plate MS32/MS40

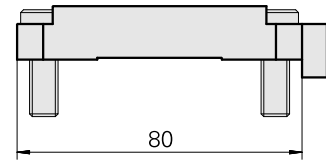
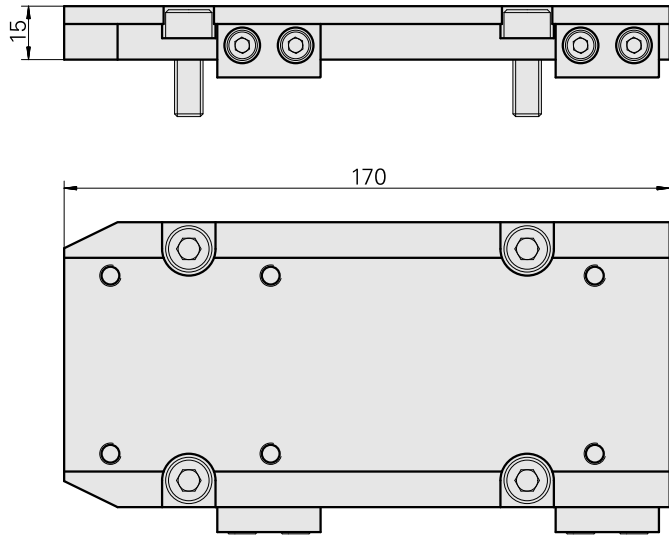
Technical data

Slide system MS	MS32/MS40
Drive	not live
Fixation MS	Splined key/pin
X [mm]	15 (0.59")
Y [mm]	–
Z [mm]	–
INDEX TRAUB products	MS40-6 • MS40-8



Note

Only for gear unit 12095023



Documents

No downloads available for this product