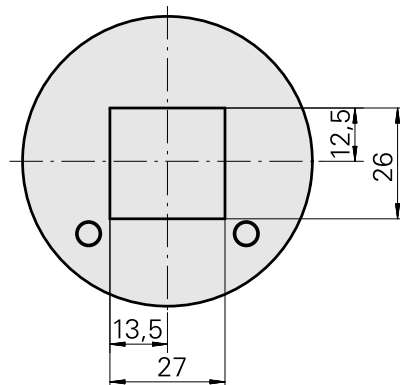
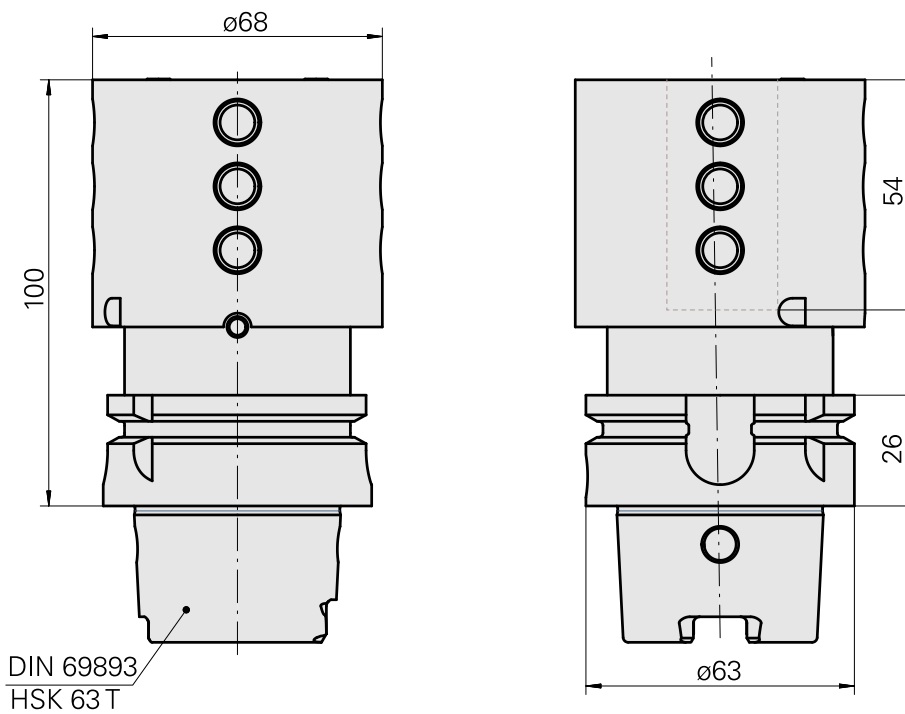
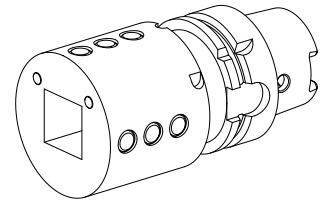


Turning tool holder HSK 63 T square 25x25

Technical data

Shank HSK	HSK 63
Form HSK	T
Mounting	Square 25x25
Cooling	external
Pressure	80 bar
X [mm]	100 (3.94")
INDEX TRAUB products	R300 • G320.2 • G220.3 • TNX220.3 • G420 • G320.3 compact • G220 • G220.2



Documents

No downloads available for this product

Accessories

Required for operation

[Socket wrench](#)

Product ID : 10352082

Previous product ID : WS7800.0010

TH accessories
category
Tool for KSS adapter

Mounting
HSK 63 A/C

Optional accessories

Tool holder accessories

[Coolant adapter kit HSK-A63](#)

Product ID : 11074450

Previous product ID : WS7800.0020

TH accessories
category
Cooling lubricant
transfer set

Mounting
HSK 63 A/C

[Coolant adapter kit HSK63, max. 120 bar](#)

Product ID : 12024087

Previous product ID :

TH accessories
category
Cooling lubricant
transfer set

Mounting
HSK 63 A/C