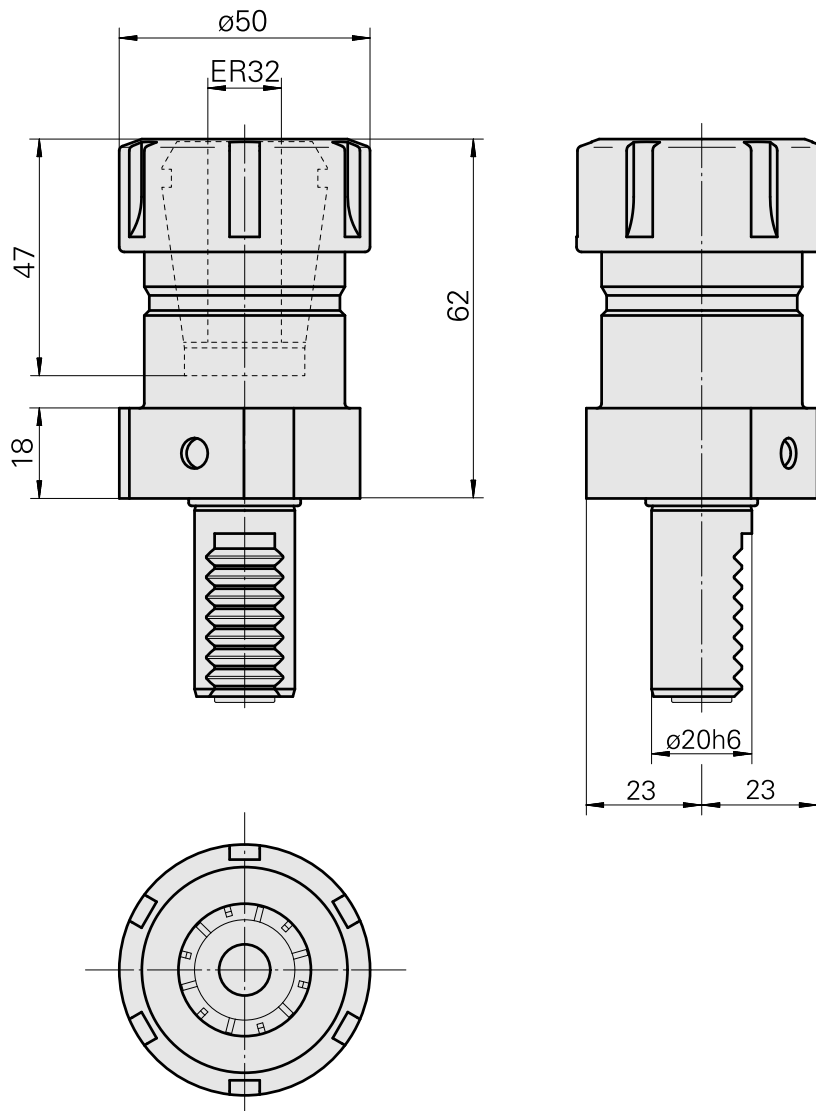
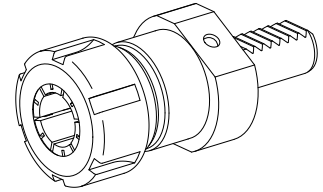


Drilling tool holder VDI 20 ER32, Form E4

Technical data

| | |
|--------------|------------|
| Shank VDI | VDI 20 |
| Drive | not live |
| Fixation VDI | none |
| Cooling | internal |
| Mounting | ER32 |
| X [mm] | 62 (2.44") |
| Y [mm] | - |
| Z [mm] | - |



Documents

No downloads available for this product

Accessories

Optional accessories

Other accessories

[Clamping collet](#)

Product ID : 10187712

Previous product ID : 901930.6---

[tapping tool collet ET-1-32](#)

Product ID : 10640099

Previous product ID : 3242--

[tapping tool collet](#)

Product ID : 10601144

Previous product ID : WZ9990.9509F

[Collet chuck](#)

Product ID : 10659178

Previous product ID : W999068-
