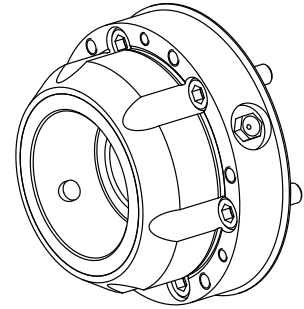


## Chuck

### Technical data

There are currently no additional technical features stored for this product



No 3-side view is currently available for this product

## Documents

No downloads available for this product

## Accessories

### Optional accessories

#### Spindle liners

##### [Socket head screw](#)

Product ID : 10157066

Previous product ID : 410260.0620

#### Other accessories

##### [Fixture](#)

Product ID : 10455955

Previous product ID : 900416.8151

Clamping device size  
SK16

manufacturer product  
line  
SPANNTOP nova chuck

Clamping method  
External clamping

manufacturer product  
line  
Hainbuch

##### [HAINBUCH GREASE 2085/0003](#)

Product ID : 10825733

Previous product ID : 373241.1021

manufacturer product  
line  
SPANNTOP nova chuck  
• SPANNTOP mini  
chuck • TOPlus chuck  
• TOPlus chuck mini  
• TOPlus chuck with  
end-stop

Clamping method  
External clamping

manufacturer product  
line  
Hainbuch

#### Other accessories

##### [Clamping head sk16bzigr5,0](#)

Product ID : 10875232

Previous product ID : 900416.G050

[Clamping head sk16bzigr6,0](#)

Product ID : 10252855

Previous product ID : 900416.G060

---

[Clamping head sk16bzigr7,0](#)

Product ID : 10469874

Previous product ID : 900416.G070

---

[Clamping head sk16bzigr8,0](#)

Product ID : 10841849

Previous product ID : 900416.G080

---

[Clamping head sk16bzigr9,0](#)

Product ID : 10984109

Previous product ID : 900416.G090

---

[Clamping head sk16bzigr10,0](#)

Product ID : 10051491

Previous product ID : 900416.G100

---

[Clamping head sk16bzigr11,0](#)

Product ID : 10776704

Previous product ID : 900416.G110

---

[Clamping head sk16bzigr12,0](#)

Product ID : 10033777

Previous product ID : 900416.G120

---

[Clamping head sk16bzigr13,0](#)

Product ID : 10080922

Previous product ID : 900416.G130

---

[Clamping head sk16bzigr14,0](#)

Product ID : 10952679

Previous product ID : 900416.G140

---

[Clamping head sk16bzigr15,0](#)

Product ID : 10199552

Previous product ID : 900416.G150

---

[Clamping head sk16bzigr16,0](#)

Product ID : 10935656

Previous product ID : 900416.G160

---