

## Boring head for CN.. 1204..

### Technical data

**Mounting**

for CN.. 1204..

**Cooling**

internal

**Pressure**

50 bar

**X [mm]**

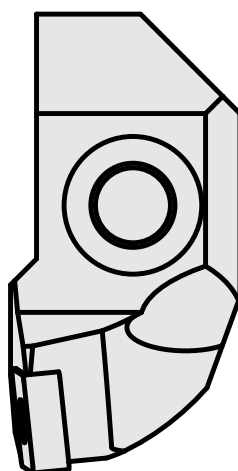
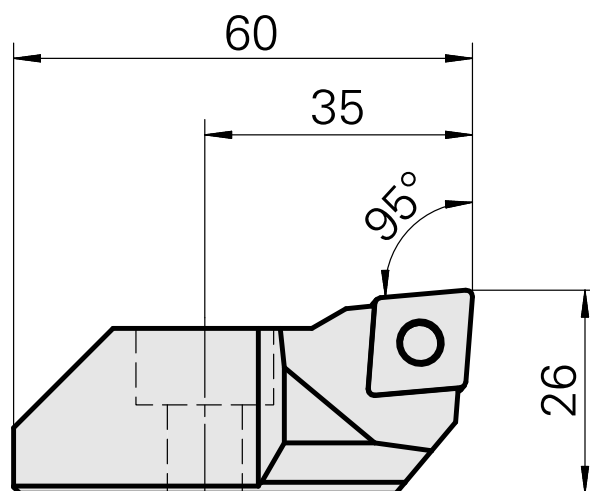
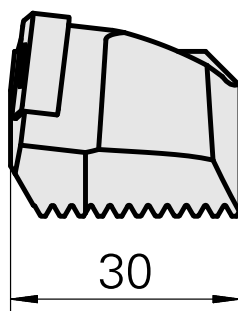
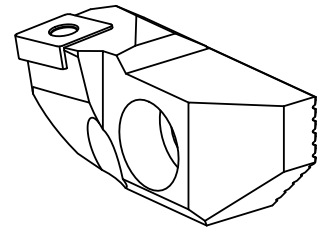
26 (1.02")

**Z [mm]**

35 (1.38)

**INDEX TRAUB products**

G220 • G420 • G520 • G320.2 •  
G220.3 • TNX220.3



11171043  
W9991320

**INDEX**

---

## **Documents**

No downloads available for this product