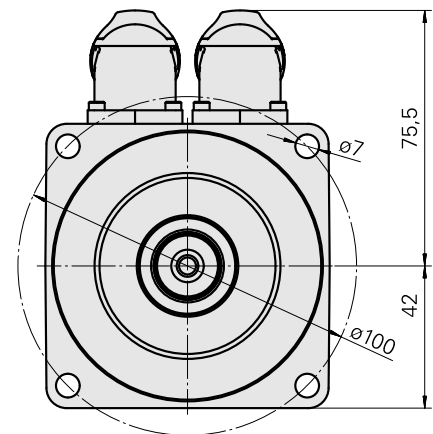
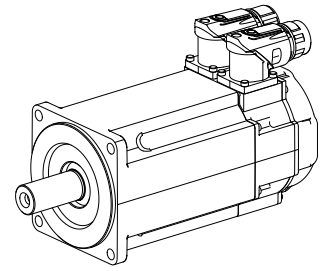


## AC-Motor 3,53Nm6000 600V

### Technical data

manufacturer product line	Kollmorgen
Electrical assemblies	Servomotor
manufacturer product line	AKM
Length	165.8 Millimeter
Width	84 Millimeter
Height	116 Millimeter
Voltage	600 Volt
Voltage type	AC~
(Nominal) speed (rpm)	6000 1/minute
Rated power W	1370 Watt
(Stall) torque [Nm]	3.53 Newton/meter
Plug connection/type	M23 (size 1 / encoder)
Encoder type	Increment
Brake	no – unbraked



11093897  
481210.0503

**INDEX**

---

## **Documents**

No downloads available for this product