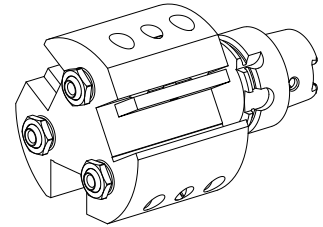


---

## Turning tool holder HSK 40 T square 16x1, triple, for clockwise rotation

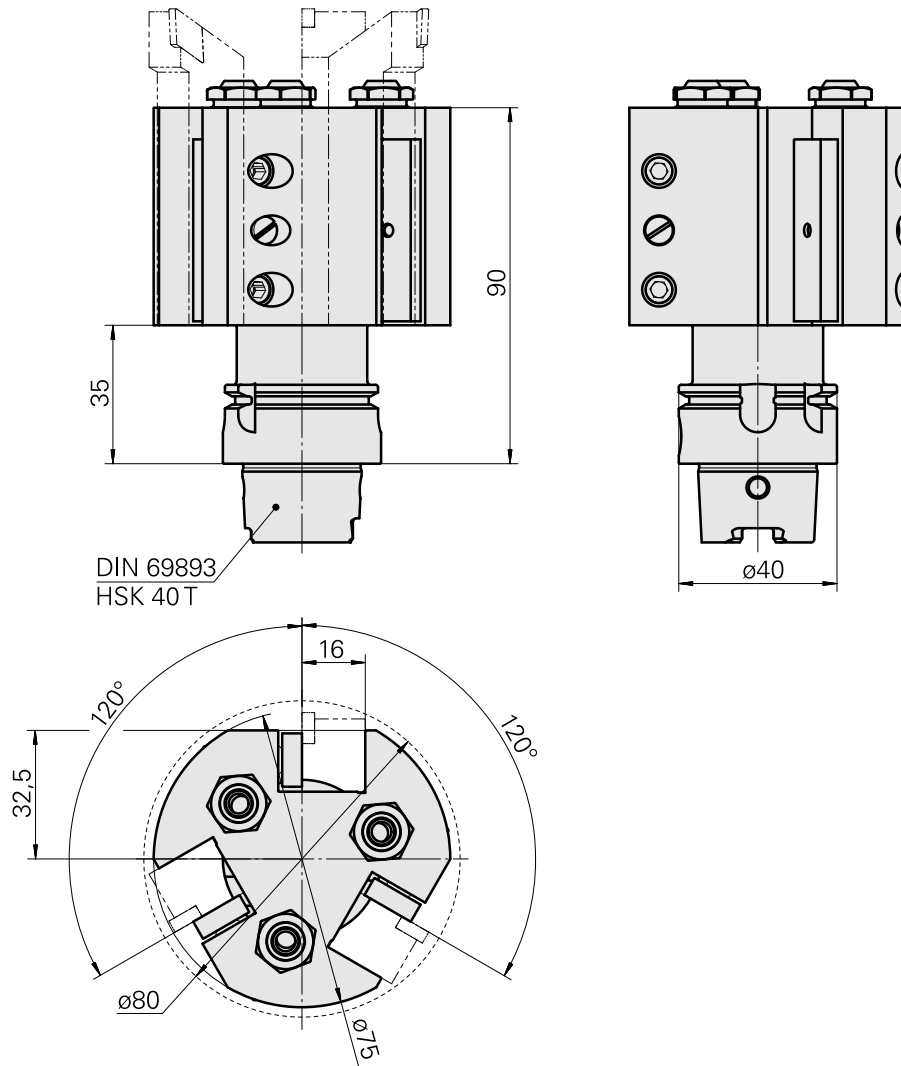
### Technical data

<b>Shank HSK</b>	HSK 40
<b>Form HSK</b>	T
<b>Mounting</b>	Square 16x16
<b>Cooling</b>	external
<b>Pressure</b>	80 bar
<b>X [mm]</b>	90 (3.54")
<b>Z [mm]</b>	32.5 (1.28)
<b>INDEX TRAUB products</b>	G220.3 • G220 • R200 • TNX220.3



### Note

Not suitable for INDEX G160, G250 and G400! Adjacent stations in the tool magazine can only be used to a limited extent!



---

## Documents

No downloads available for this product

## Accessories

Required for operation

### [Socket wrench](#)

Product ID : 10532354

Previous product ID : WS7400.0010

TH accessories  
category  
Tool for KSS adapter

Mounting  
HSK 40 A/C

Optional accessories

### Tool holder accessories

### [Coolant adapter kit](#)

Product ID : 10581780

Previous product ID : WS7400.0020

TH accessories  
category  
Cooling lubricant  
transfer set

Mounting  
HSK 40 A/C

### [Coolant supply, max. 120 bar](#)

Product ID : 12024083

Previous product ID :

TH accessories  
category  
Cooling lubricant  
transfer set

Mounting  
HSK 40 A/C

### Other accessories

### [Coolant Nozzle](#)

Product ID : 11031912

Previous product ID : W67500.3208

---

11087974  
W2350014

**INDEX**

---

HOLLOW SCREW M14x1 M14x1

Product ID : 10105238

Previous product ID : W67530.0818

---

BUSHING 10 D x 6 D x 12,5

Product ID : 10670360

Previous product ID : W67530.0824

---