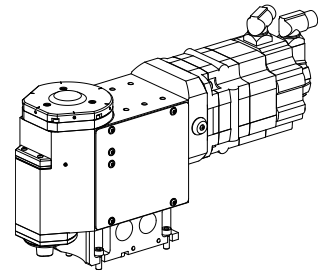


## Polygon turning unit MS52 4.194:1 INDEX

### Technical data

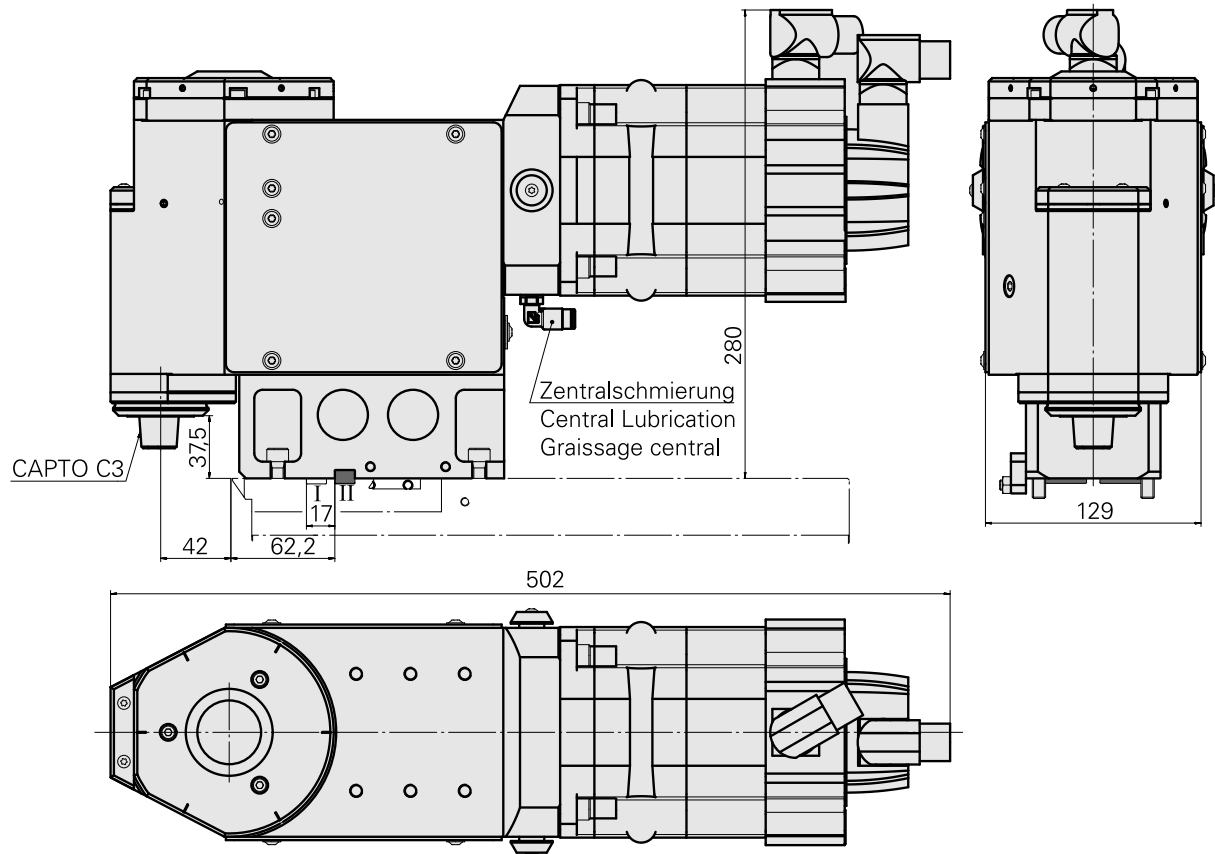
<b>Slide system MS</b>	MS52
<b>Drive</b>	Direct drive
<b>Fixation MS</b>	Splined key/pin
<b>Speed ratio</b>	4.194:1
<b>Cooling</b>	external
<b>Pressure</b>	30 bar
<b>Mounting</b>	INDEX CAPTO C3
<b>X [mm]</b>	42 (1.65")
<b>Y [mm]</b>	–
<b>Z [mm]</b>	37.5 (1.48)
<b>INDEX TRAUB products</b>	MS52C • MS52-6.3



### Note

Can only be used on the cross slide! The unit must be connected to a central lubrication system! The machine must have a preparation for polygon turning! The unit may only be used in combination with any of the specified motors and the corresponding UNIT!

Motor (AC), 10 Nm – 12107824 (Siemens 1FT7062-5WK74-1NK2) included. UNIT 156



---

## Documents

No downloads available for this product

## Accessories

Required for operation

### Cable kit, 5m im Arbeitsraum

Product ID : 10912003

Previous product ID : GM5702.9055

---

### Assembly parts

Product ID : 12103140

Previous product ID :

---

## Optional accessories

### Other accessories

#### Adaptor

Product ID : 10910688

Previous product ID : W9991073

TH accessories  
category  
Adapters INDEX CAPTO  
C3

Mounting  
Milling shaft D32

#### Base element

Product ID : 10269925

Previous product ID : 223800.2301

TH accessories  
category  
Base body, 3-fluted

Mounting  
Milling shaft D27

Cassette

Product ID : 10305934

Previous product ID : W9990295

TH accessories  
category  
Cassette, left

Mounting  
for DC.. 11T3..

Cassette

Product ID : 10654226

Previous product ID : W9990294

TH accessories  
category  
Cassette, right

Mounting  
for DC.. 11T3..