

## INDEX CAPTO C3 ER11

### Technical data

TH accessories category

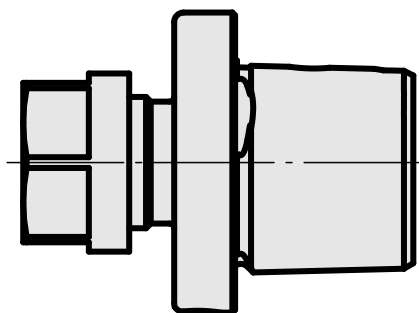
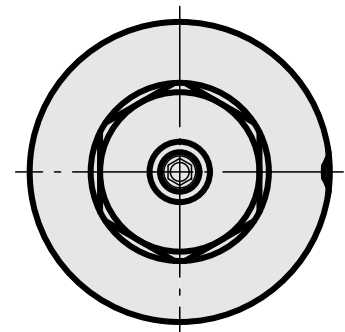
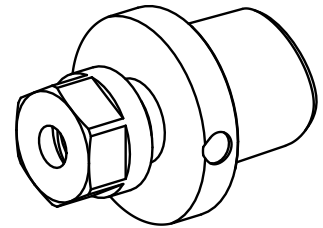
INDEX CAPTO C3

Mounting

ER11

Quick change inserts

collet mounting



---

## Documents

No downloads available for this product

## Accessories

Required for operation

### [Spanner](#)

Product ID : 10969996

Previous product ID : 490219.0111

|  |                  |                      |                                    |
|--|------------------|----------------------|------------------------------------|
| TH accessories category<br>Tool                | Mounting<br>ER11 | Collet type<br>ER 11 | Clamping nut type<br>Female thread |
| Tools for Collet chucks<br>Clamping nut wrench |                  |                      |                                    |

### Optional accessories

#### Tool holder accessories

### [Clamping nut](#)

Product ID : 10302707

Previous product ID : 322438

|   |                  |                      |                                    |
|---|------------------|----------------------|------------------------------------|
| TH accessories category<br>Clamping nut | Mounting<br>ER11 | Collet type<br>ER 11 | Clamping nut type<br>Female thread |
|---|------------------|----------------------|------------------------------------|

#### Other accessories

### [Clamping collet](#)

Product ID : 10086829

Previous product ID : 901930.0---

---

### [tapping tool collet ET-1-12](#)

Product ID : 10001911

Previous product ID : 3239--

---

11078012  
W9991222

**INDEX**

---

[tapping tool collet ER11GB](#)

Product ID : 10285407

Previous product ID : 900288

---

[Collet chuck](#)

Product ID : 10132309

Previous product ID : W999064-

---