

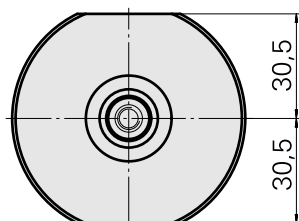
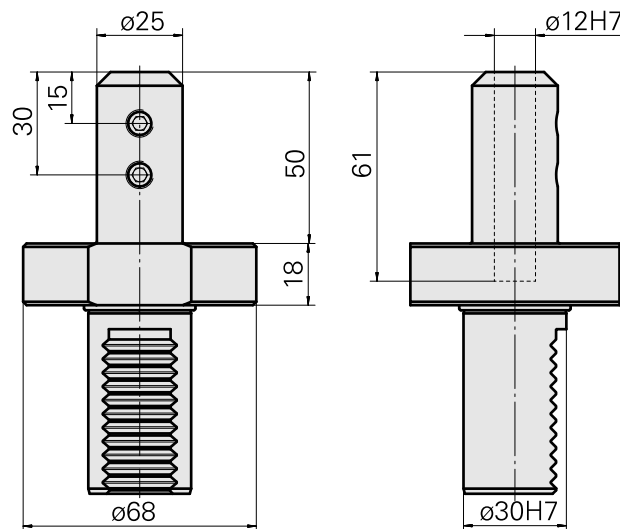
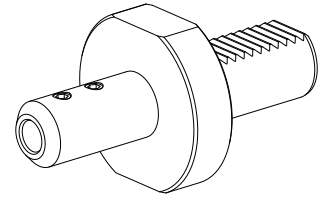
## Drilling tool holder VDI 30 D12, Specially for the marking tool WriteStar

### Technical data

Shank VDI	VDI 30
Drive	not live
Fixation VDI	none
Mounting	D12
reversible 180°	no
Data carrier	check tool station bore
X [mm]	68 (2.68")
Y [mm]	-
Z [mm]	-

### INDEX TRAUB products

C42/65 • G160 • G300 • G400  
• TNX80 • V100 • V200 • ABC •  
C100 • C200 • G200 • G200.2 •  
G220 • G250 • R300 • TNX65/42  
• V160C • V160G • V300 • B400  
• B500 • TNA500.2 • TNA400.2 •  
ABC.2 • G300.2 • G320.2 • G220.3  
• TNX220.3 • TNX200.3 • G200.3  
• G320.3 compact • B400.3 •  
TNA400.3 • B500.3 • TNA500.3



---

## Documents

No downloads available for this product

## Accessories

Optional accessories

**Tool holder accessories**

[Marking tool, Tip angle/radius 90°/R0.5mm](#)

Product ID : 10448780

Previous product ID : W9990300

TH accessories  
category  
Marking tool

Tool mounting  
12mm