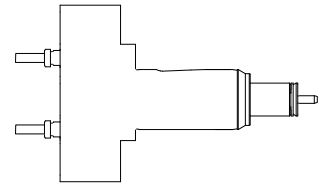


Drilling tool holder Shank 40 D20 (0.79, triple)

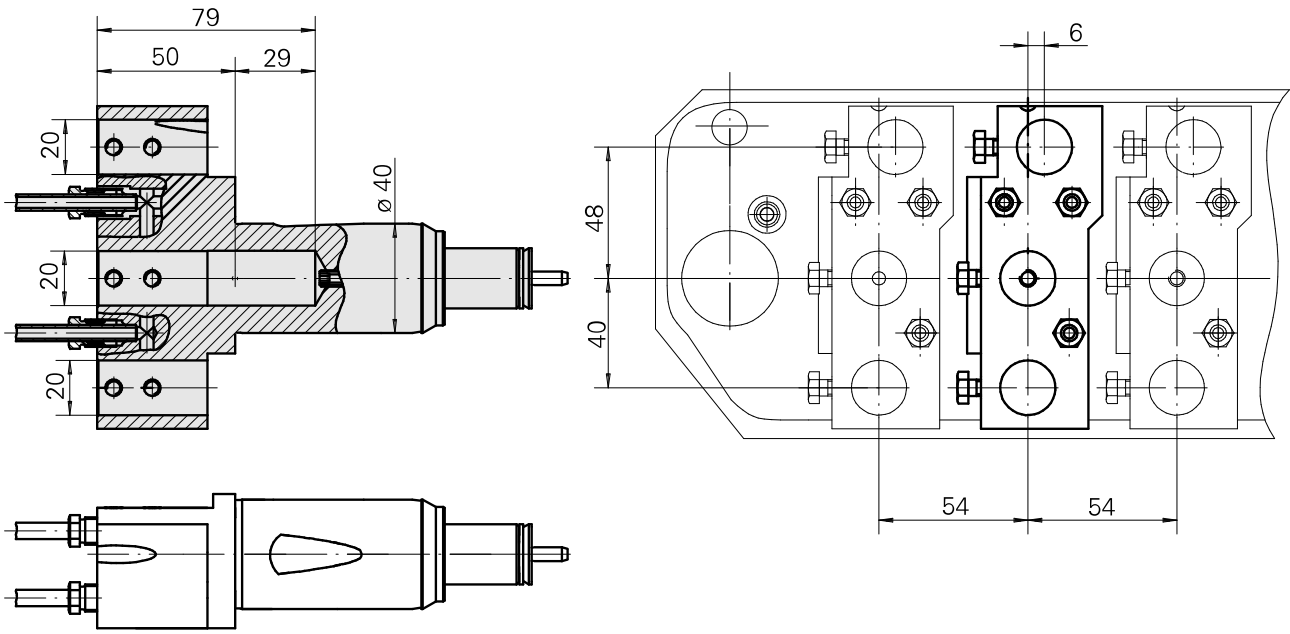
Technical data

Shank TNL	Shank 40
Drive	not live
Cooling	external
Pressure	120 bar
Mounting	D20
INDEX TRAUB products	TNK36 • TNL26



Note

Can only be used on stations 2-4 of the back working unit with a Y axis!
Internal high-pressure coolant supply only available for the center mounting.



Documents

No downloads available for this product

Accessories

Optional accessories

Other accessories

[Mounting sleeve with collar D20](#)

Product ID : 10063939

Previous product ID : W68510.04--
