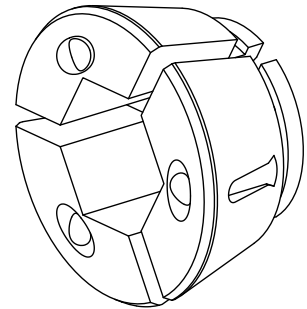


Clamping head SK42 SF=14,0mm

Technical data

Clamping device size	SK42
manufacturer product line	SPANNTOP nova chuck
Clamping type	Hexagon grooved
Nominal diameter (mm)	14 Millimeter
Clamping method	External clamping
manufacturer product line	Hainbuch



No 3-side view is currently available for this product

10956355
900442.6140

INDEX

Documents

No downloads available for this product