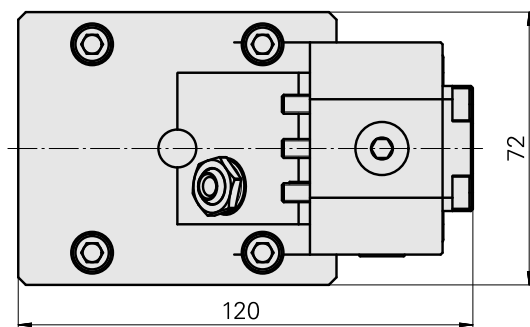
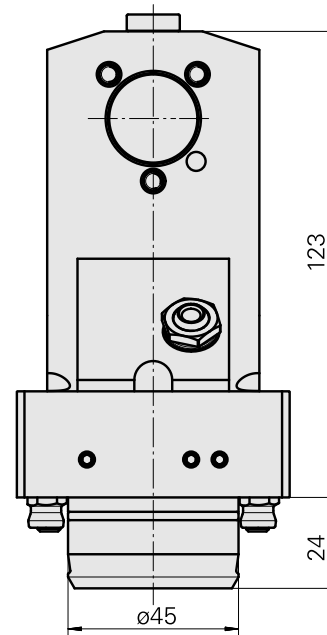
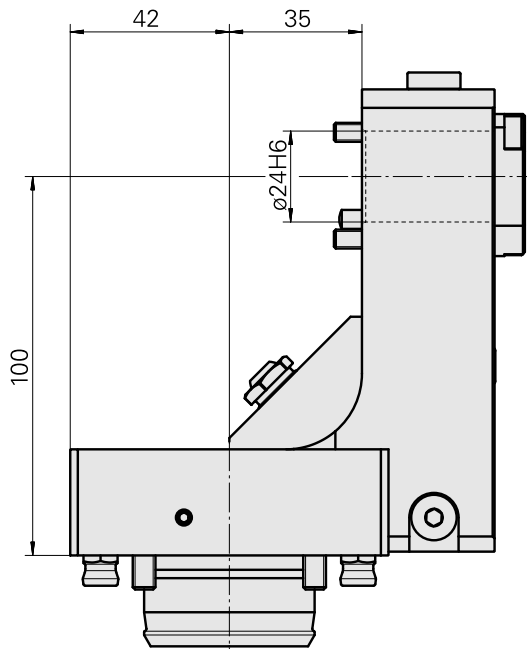
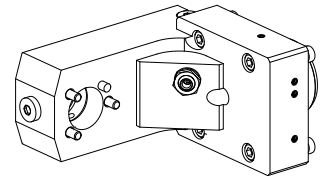


## Basic holder KPS 45 D24 (0.94 ")

### Technical data

|                      |                       |
|----------------------|-----------------------|
| Shank KPS            | KPS 45                |
| Drive                | not live              |
| Cooling              | external and internal |
| Mounting             | D24                   |
| Pressure             | 120 bar               |
| X [mm]               | 100 (3.94")           |
| Y [mm]               | -                     |
| Z [mm]               | -35 (1.38)            |
| INDEX TRAUB products | TNL32 • TNL32-11      |



## Documents

No downloads available for this product

## Accessories

Optional accessories

### Other accessories

#### [Coolant Nozzle](#)

Product ID : 11031912

Previous product ID : W67500.3208

---

#### [HOLLOW SCREW M14x1 M14x1](#)

Product ID : 10105238

Previous product ID : W67530.0818

---

#### [BUSHING 10 D x 6 D x 12,5](#)

Product ID : 10670360

Previous product ID : W67530.0824

---