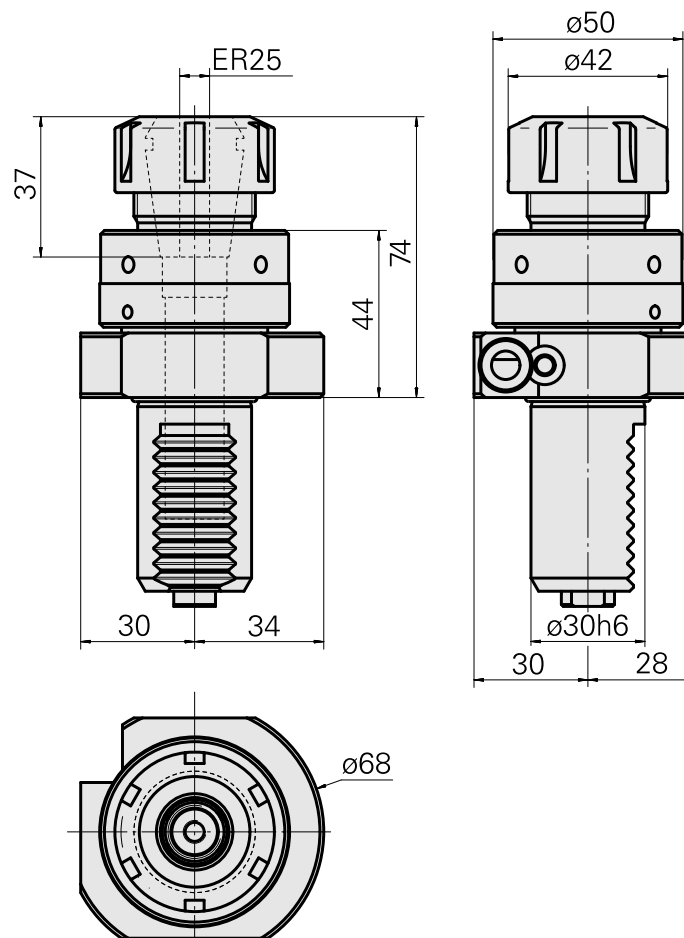
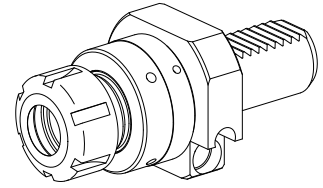


## Reaming tool holder VDI 30 ER25, adjustable

### Technical data

Shank VDI	VDI 30
Drive	not live
Fixation VDI	none
Cooling	external
Pressure	20 bar
Mounting	ER25
reversible 180°	no
Data carrier	check tool station bore
X [mm]	73.5 (2.89")
Y [mm]	-
Z [mm]	-
INDEX TRAUB products	V100 • V200 • V160C • V160G • V300 • TNA300



---

## Documents

No downloads available for this product

## Accessories

Required for operation

### [Spanner](#)

Product ID : 10802433

Previous product ID : 490219.0251

TH accessories category Tool	Mounting ER25	Collet type ER 25	Clamping nut type Female thread
Tools for Collet chucks Clamping nut wrench			

### Optional accessories

#### Tool holder accessories

### [Clamping nut](#)

Product ID : 10193990

Previous product ID : 901939.0251

TH accessories category Clamping nut	Mounting ER25	Collet type ER 25	Clamping nut type Female thread
---	------------------	----------------------	------------------------------------

#### Other accessories

### [Clamping collet](#)

Product ID : 10206464

Previous product ID : 901930.3---

---

### [Collet chuck](#)

Product ID : 10029756

Previous product ID : W999067-

---

10894326  
W1300031

**INDEX**

---

[tapping tool collet ET-1-25](#)

Product ID : 10191234  
Previous product ID : 3224--

---

[tapping tool collet](#)

Product ID : 10256515  
Previous product ID : WZ9990.9507F

---

[Clamping collet, sealed](#)

Product ID : 10698406  
Previous product ID : W999085-

---

[Tube](#)

Product ID : 10676412  
Previous product ID : W63211.5112

---

[Countersunk screw 8.8 Torx M 5x12 14581 M 5x12/T25 verzinkt 402315 12](#)

Product ID : 10607371  
Previous product ID : 410362.0512

---