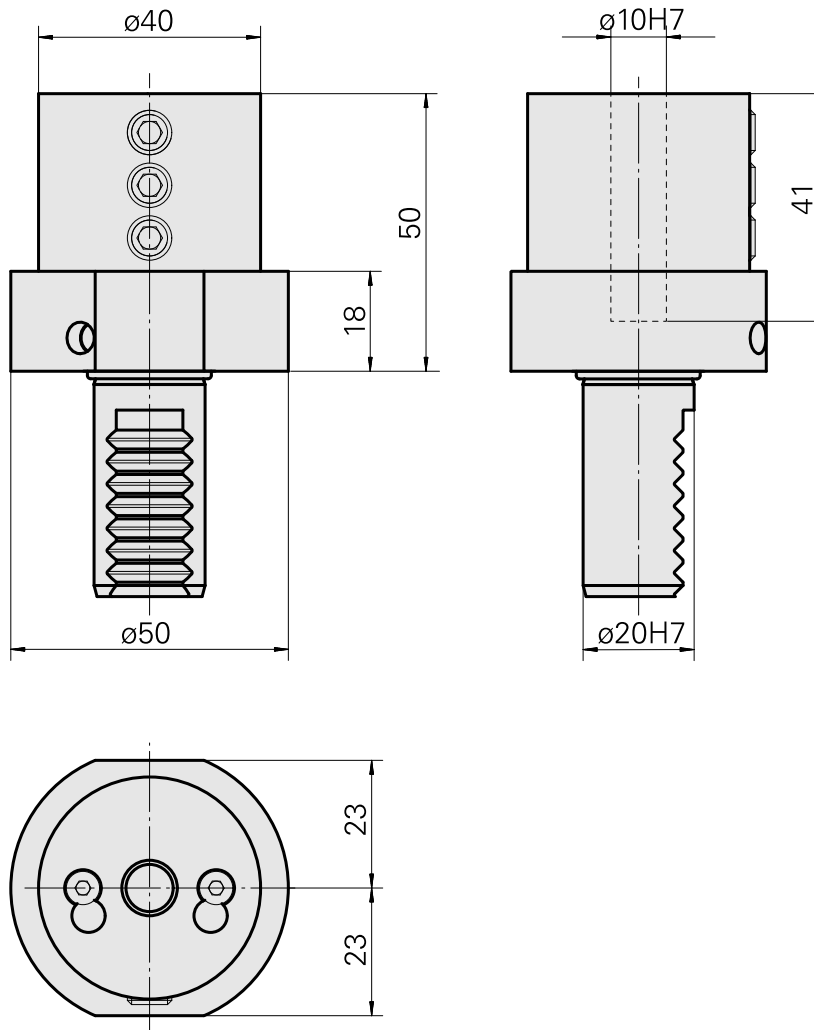
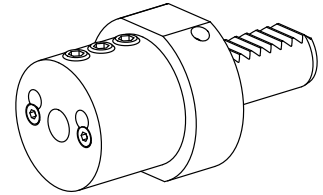


## Drilling tool holder VDI 20 D10, Form E2

### Technical data

Shank VDI	VDI 20
Drive	not live
Fixation VDI	none
Cooling	external
Pressure	20 bar
Mounting	D10
reversible 180°	no
X [mm]	50 (1.97")
Y [mm]	-
Z [mm]	-



## **Documents**

No downloads available for this product