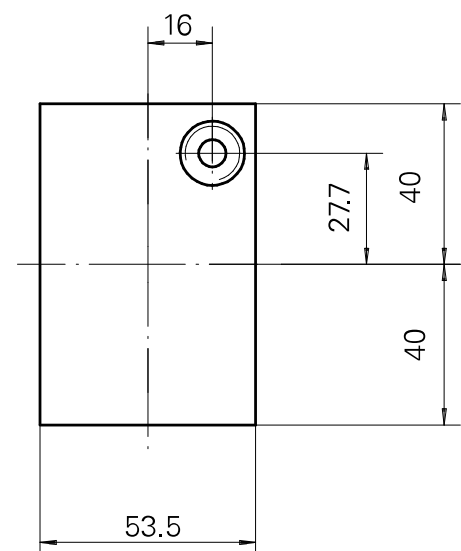
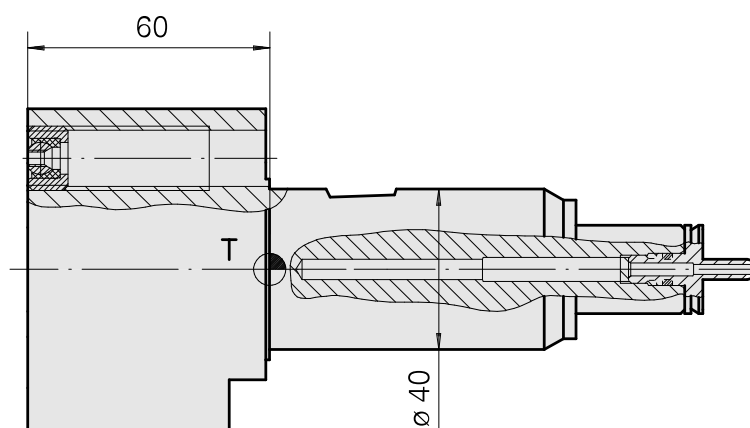
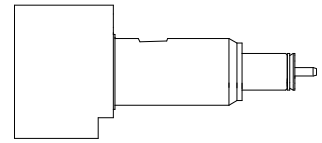


## Tool holder blank Shank 40

### Technical data

Shank TNL	Shank 40
Drive	not live
Cooling	internal
Pressure	120 bar
INDEX TRAUB products	TNK36 • TNL26



10802988  
984536

**INDEX**

---

## **Documents**

No downloads available for this product