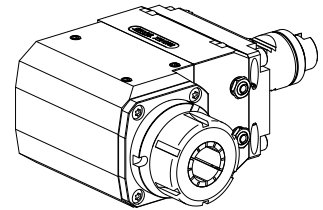


## Milling unit VDI 40 1:1 ER40

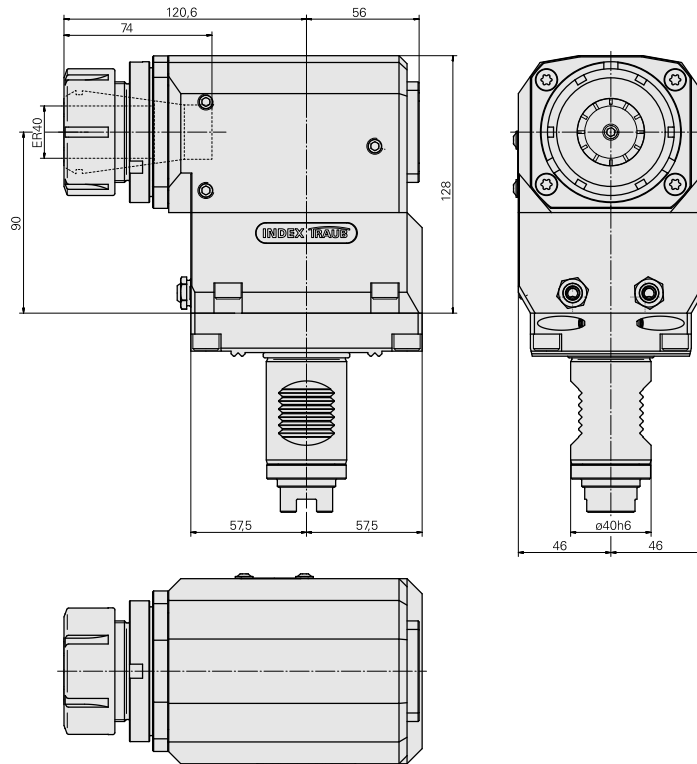
### Technical data

<b>Shank VDI</b>	VDI 40
<b>Drive</b>	Dog clutch
<b>Fixation VDI</b>	W serration
<b>Speed ratio</b>	1:1
<b>Cooling</b>	external, internal optional
<b>Pressure</b>	80 bar
<b>Mounting</b>	ER40
<b>reversible 180°</b>	yes
<b>Direction</b>	same as drive direction
<b>X [mm]</b>	110 (4.33")
<b>Y [mm]</b>	–
<b>Z [mm]</b>	120,6 (4,75")
<b>INDEX TRAUB products</b>	G250 • G420 • B400 • B500 • TNA500.2 • TNA400.2 • G400.2 • G500 • G520 • G300.2 • G320.2 • B400.3 • TNA400.3 • B500.3 • TNA500.3



### Note

G400/500 Tool carrier at top: Can only be used in the direction of the main spindle



---

## Documents

### Product notes

[DE \(pdf\)](#)

[EN \(pdf\)](#)

[FR \(pdf\)](#)

[PT \(pdf\)](#)

## Accessories

Required for operation

### [Spanner](#)

Product ID : 10474438

Previous product ID : 490219.0401

TH accessories category Tool	Mounting ER40	Collet type ER 40	Clamping nut type Female thread
Tools for Collet chucks Clamping nut wrench			

### [Hook wrench](#)

Product ID : 10567017

Previous product ID : 490340.0590

TH accessories category Tool	Clamping nut type Outside diameter 55-62 mm	Tools for Collet chucks Hook wrench
---------------------------------	---	--

Optional accessories

### Tool holder accessories

### [Coolant Supply, internal 160 bar](#)

Product ID : 10236572

Previous product ID : W9990284

---

---

### [Coolant Supply, internal 80 bar](#)

Product ID : 10687215  
Previous product ID : W9990290

---

### [Clamping nut](#)

Product ID : 11029703  
Previous product ID : 901939.0401

TH accessories  
category  
Clamping nut

Mounting  
ER40

Collet type  
ER 40

Clamping nut type  
Female thread

### **Other accessories**

### [Clamping collet](#)

Product ID : 10146045  
Previous product ID : 901930.4---

---

### [HOLLOW SCREW M14x1 M14x1](#)

Product ID : 10105238  
Previous product ID : W67530.0818

---

### [BUSHING 10 D x 6 D x 12,5](#)

Product ID : 10670360  
Previous product ID : W67530.0824

---

### [Coolant Nozzle](#)

Product ID : 11031912  
Previous product ID : W67500.3208

---

### [Nozzle M6 mit D1,6](#)

Product ID : 10147428  
Previous product ID : W00019.0216

---

### [Sealing kit](#)

Product ID : 12181693  
Previous product ID :

---

10744754  
W1455041

**INDEX**

---

[Blanking plug MIT O-RING 479105.1200](#)

Product ID : 10988240

Previous product ID : W68540.2014

---