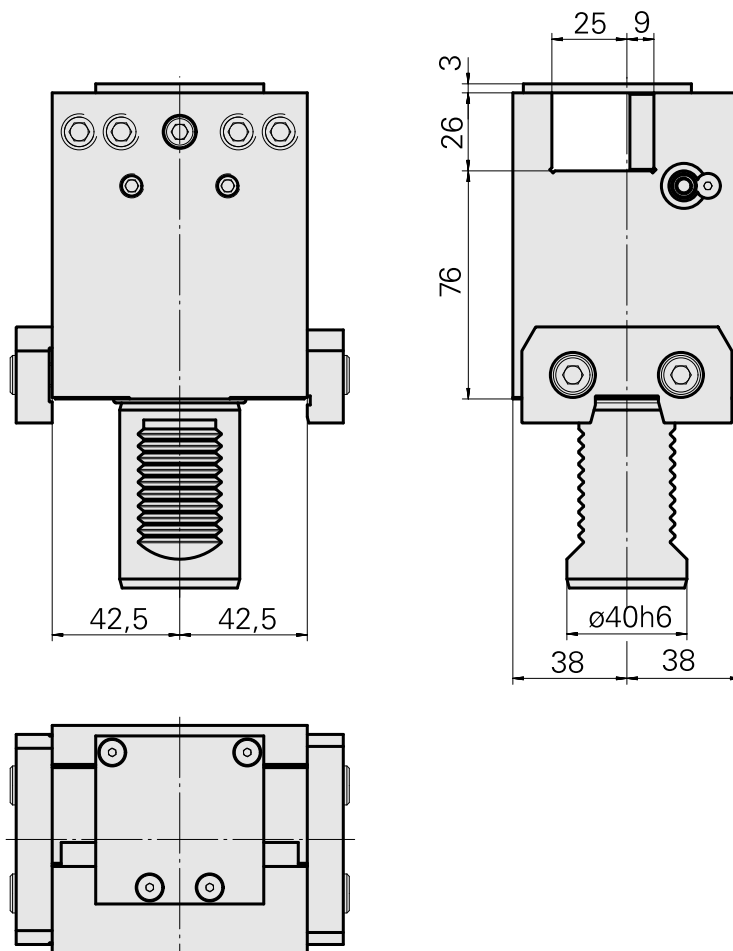
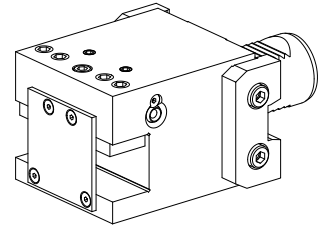


Turning tool holder VDI 40 square 25x25

Technical data

Shank VDI	VDI 40
Drive	not live
Fixation VDI	Clamping and stop bar
Cooling	external
Pressure	20 bar
Mounting	Square 25x25
reversible 180°	yes
X [mm]	76 (2.99")
Y [mm]	—
Z [mm]	42.5 (1.67)
INDEX TRAUB products	G300 • G400 • V200 • G250 • V160C • V160G • V300



Documents

No downloads available for this product

Accessories

Optional accessories

Tool holder accessories

[Angle, height 5 mm \(0.19"\), width 5 mm \(0.19"\)](#)

Product ID : 10020057

Previous product ID : W9991111

TH accessories
category
Compensation bracket

Mounting
Square 25x25

Other accessories

[Coolant Nozzle](#)

Product ID : 11031912

Previous product ID : W67500.3208

[Nozzle M6 mit D1,6](#)

Product ID : 10147428

Previous product ID : W00019.0216

[Gib WN99-04.0005.0](#)

Product ID : 10429033

Previous product ID : W00016.0037

[Gib WN99-04.0004.0](#)

Product ID : 10925776

Previous product ID : W00016.0038

10702263
W1420000

INDEX

Countersunk screw M 4x10/T20 verzinkt 402314 10

Product ID : 10844426

Previous product ID : 410362.0410
