

tube, M6x48,45°

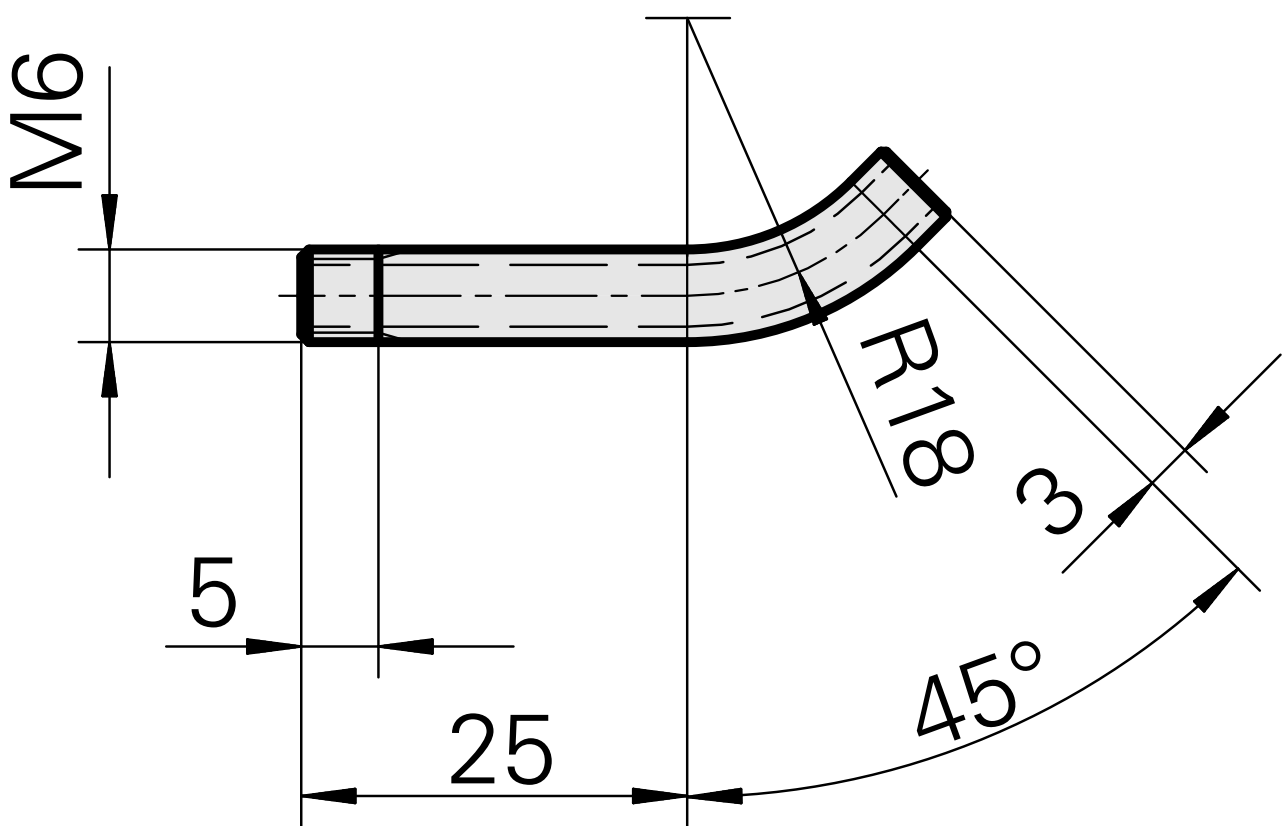
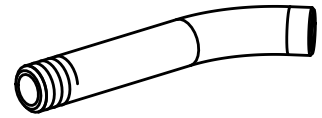
Technical data

TH accessories category

Cooling lubricant tube

Mounting

M6



## **Documents**

No downloads available for this product