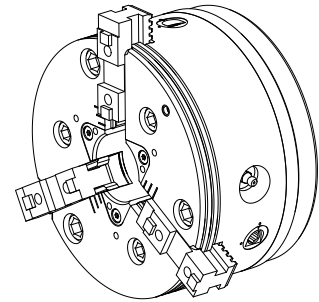


3-jaw chuck

Technical data

INDEX TRAUB products	G200.2 • G220 • C200 • R200
Spindle clearance	65mm
Machining side	Counter spindle
manufacturer product line	ROTA THW PLUS 165-43 Z140
Spindle mounting	AP140
Clamping device size	165
manufacturer product line	Schunk



No 3-side view is currently available for this product

Documents

No downloads available for this product

Accessories

Required for operation

[drawbar adapter](#)

Product ID : 10311423

Previous product ID : 908125.0331
