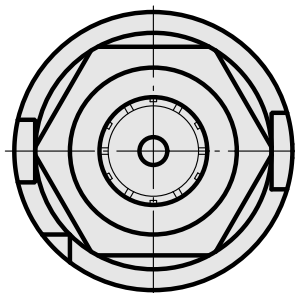
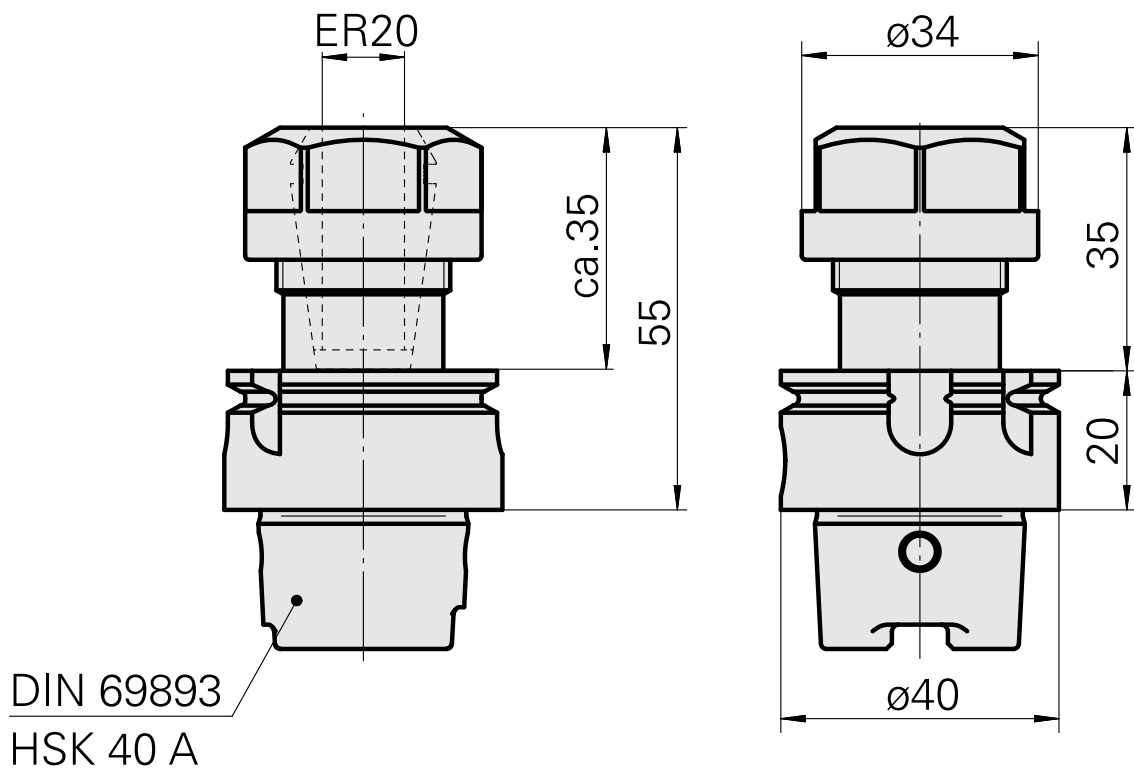


Drilling tool holder HSK 40 A ER20

Technical data

Shank HSK	HSK 40
Form HSK	A
Mounting	ER20
Cooling	internal
Pressure	80 bar
X [mm]	55 (2.17")
INDEX TRAUB products	G160 • V100 • G200.2 • G220 • R200 • TNX65/42 • G220.3 • TNX220.3



Documents

No downloads available for this product

Accessories

Required for operation

[Spanner](#)

Product ID : 10603529

Previous product ID : 490219.0201

TH accessories category Tool	Mounting ER20	Collet type ER 20	Clamping nut type Female thread
Tools for Collet chucks Clamping nut wrench			

[Socket wrench](#)

Product ID : 10532354

Previous product ID : WS7400.0010

TH accessories category Tool for KSS adapter	Mounting HSK 40 A/C
---	------------------------

Optional accessories

Tool holder accessories

[Clamping nut](#)

Product ID : 10137535

Previous product ID : 901939.0201

TH accessories category Clamping nut	Mounting ER20	Collet type ER 20	Clamping nut type Female thread
---	------------------	----------------------	------------------------------------

[Coolant adapter kit](#)

Product ID : 10581780

Previous product ID : WS7400.0020

TH accessories
category
Cooling lubricant
transfer set

Mounting
HSK 40 A/C

[Coolant supply, max. 120 bar](#)

Product ID : 12024083

Previous product ID :

TH accessories
category
Cooling lubricant
transfer set

Mounting
HSK 40 A/C

Other accessories

[Clamping collet](#)

Product ID : 10863981

Previous product ID : 901930.2---

[tapping tool collet ET-1-20](#)

Product ID : 10418139

Previous product ID : 3234--

[Clamping collet, sealed](#)

Product ID : 10919110

Previous product ID : W999084-

[Collet chuck](#)

Product ID : 10135002

Previous product ID : W999066-