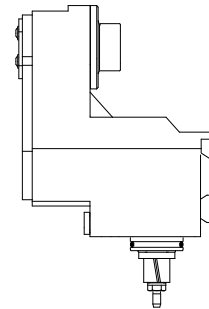


## Drilling unit Circular prism 1:3 WFB 20-

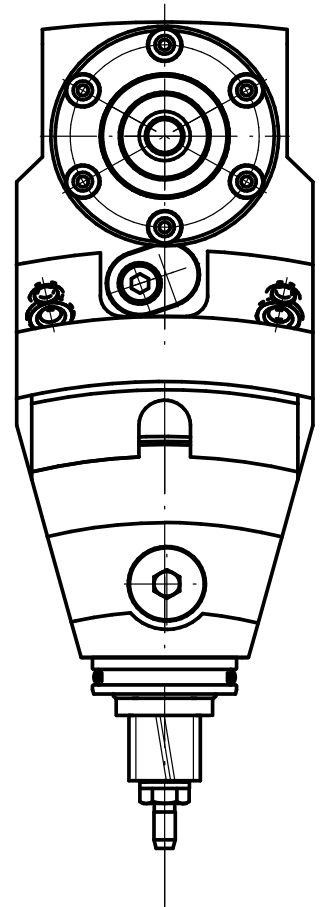
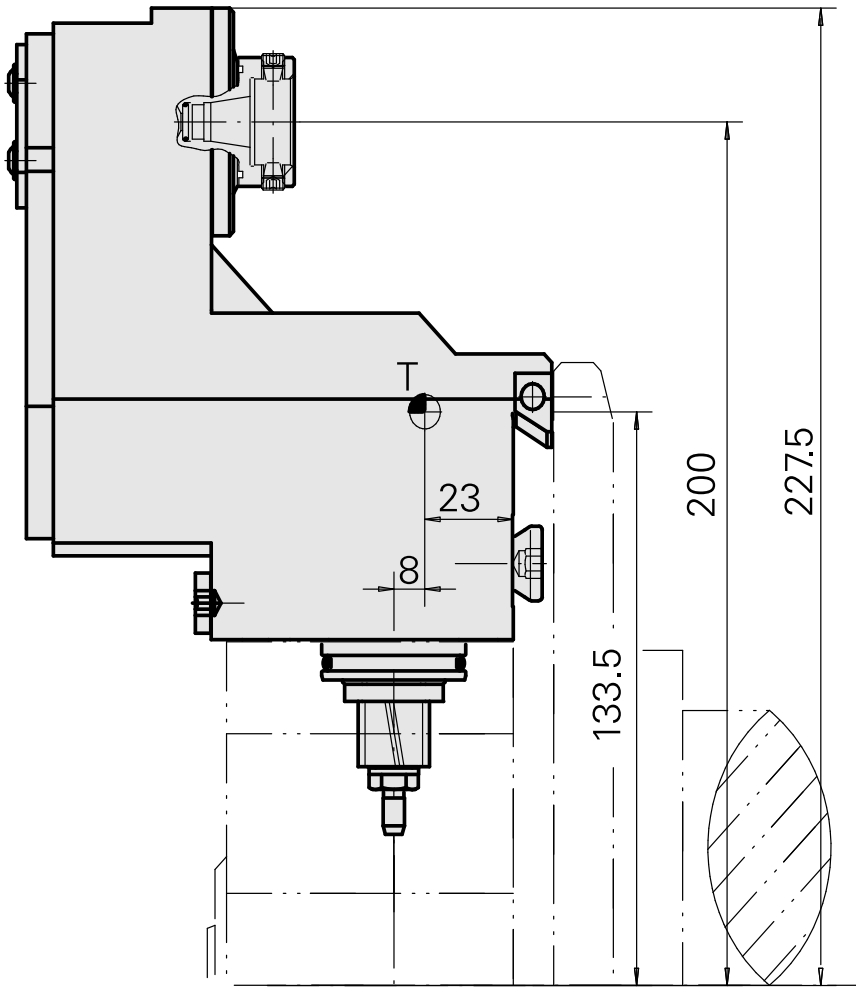
### Technical data

<b>Shank TNL</b>	Circular prism
<b>Drive</b>	Overall drive
<b>Fixation TNL</b>	Central tensioning screw
<b>Speed ratio</b>	1:3
<b>Cooling</b>	external
<b>Pressure</b>	120 bar
<b>Mounting</b>	WFB 20-12
<b>INDEX TRAUB products</b>	TNK36 • TNL26



### Note

No dry-run permitted!



## Documents

### Product notes

[DE \(pdf\)](#)

[EN \(pdf\)](#)

[FR \(pdf\)](#)

[PT \(pdf\)](#)

## Accessories

### Optional accessories

#### Other accessories

#### [BALL SPRAY NOZZLE 10D/M4](#)

Product ID : 10679818

Previous product ID : 474550.0081

---

#### [Lens head screw](#)

Product ID : 10858459

Previous product ID : 410243.0306

---

#### [Adapter WFB 20-12 shrinking](#)

Product ID : 10477939

Previous product ID : 904006

---

#### [Adapter WFB 20-12 Weldon](#)

Product ID : 10221340

Previous product ID : 904007

---

#### [Adapter WFB 20-12 with collet mounting](#)

Product ID : 10625654

Previous product ID : 904008

---

---

[adapter WFB 20-12 mill arbor mounting](#)

Product ID : 10489061  
Previous product ID : 904009

---

[Adapter WFB 20-12 Hydr. expansion chuck](#)

Product ID : 10566889  
Previous product ID : 904010

---

[WFB for Turning tool holder](#)

Product ID : 10146029  
Previous product ID : 904011

---

[WFB for tap chuck](#)

Product ID : 11004600  
Previous product ID : WZ9990.9613F

---

[WFB miscellaneous mountings](#)

Product ID : 10243177  
Previous product ID : WZ9990.9612F

---

[TORX SCREW M6 X 7MM M 6x1x7](#)

Product ID : 10004947  
Previous product ID : 326171

---