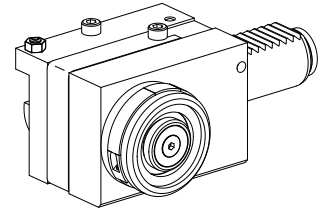


## Embossing roll holder VDI 30

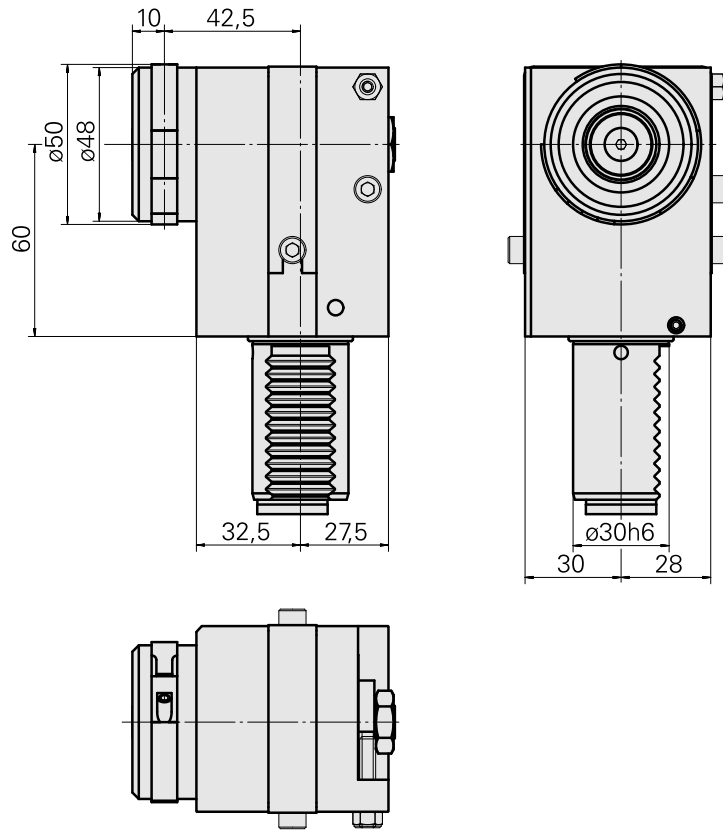
### Technical data

|                             |  |
|-----------------------------|--|
| <b>Shank VDI</b>            | VDI 30   |
| <b>Drive</b>                | not live   |
| <b>Fixation VDI</b>         | none   |
| <b>Cooling</b>              | internal   |
| <b>Pressure</b>             | 20 bar   |
| <b>reversible 180°</b>      | no   |
| <b>Data carrier</b>         | check tool station bore  |
| <b>X [mm]</b>               | 60 (2.36")   |
| <b>Y [mm]</b>               | –  |
| <b>Z [mm]</b>               | 42.5 (1.67)  |
| <b>INDEX TRAUB products</b> | G160 • G300 • IT600 • V100 •<br>V200 • A200-6 • B400 • C200 •<br>G220 • G250 • R300 • TNX65/42 •<br>V160C • V160G • V300 • TNA300<br>• TNA400.2 • G220.3 • TNX220.3<br>• TNX200.3 • G200.3 • G320.3<br>compact • B400.3 • TNA400.3 |



### Note

Cooling lubricant supply unit required!



---

## Documents

No downloads available for this product

## Accessories

Optional accessories

### Tool holder accessories

#### [Embossing roller, D50 mm \(1.96"\)](#)

Product ID : 10609077

Previous product ID : W63380.0030

TH accessories  
category  
Embossing roller

#### [Embossing roller, D60 mm \(2.36"\)](#)

Product ID : 10446615

Previous product ID : W63380.0060

TH accessories  
category  
Embossing roller