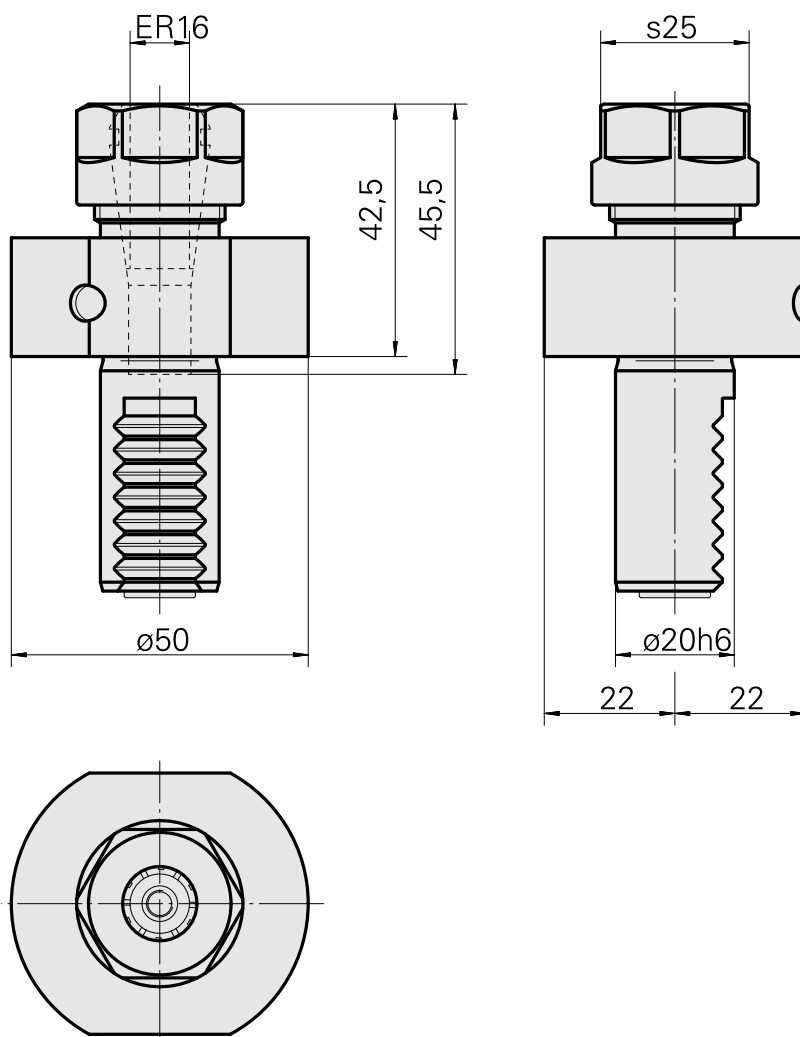
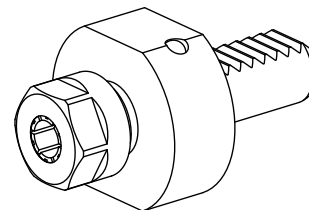


Drilling tool holder VDI 20 ER16

Technical data

Shank VDI	VDI 20
Drive	not live
Fixation VDI	none
Cooling	internal
Pressure	20 bar
Mounting	ER16
reversible 180°	no
X [mm]	42.5 (1.67")
Y [mm]	—
Z [mm]	—



Documents

No downloads available for this product

Accessories

Required for operation

[Spanner](#)

Product ID : 10966369

Previous product ID : 490219.0161

TH accessories category Tool	Mounting ER16	Collet type ER 16	Clamping nut type Female thread
Tools for Collet chucks Clamping nut wrench			

Optional accessories

Tool holder accessories

[Clamping nut](#)

Product ID : 12061390

Previous product ID :

[Clamping nut](#)

Product ID : 10378189

Previous product ID : 901939.01

TH accessories category Clamping nut	Mounting ER16	Collet type ER 16	Clamping nut type Female thread
-----------------------------------------	------------------	----------------------	------------------------------------

Other accessories

[Clamping collet](#)

Product ID : 10834596

Previous product ID : 901930.1---

[Clamping collet](#)

Product ID : 10589709
Previous product ID : W99903--

[tapping tool collet ET-1-16](#)

Product ID : 10542491
Previous product ID : 3230--

[tapping tool collet](#)

Product ID : 10865233
Previous product ID : WZ9990.9506F

[Collet chuck](#)

Product ID : 10870393
Previous product ID : W999065-

[Clamping collet, sealed](#)

Product ID : 10433061
Previous product ID : W999083-

[Washer](#)

Product ID : 12061397
Previous product ID :

[Washer](#)

Product ID : 12061398
Previous product ID :

[Spanner](#)

Product ID : 12061854
Previous product ID :
