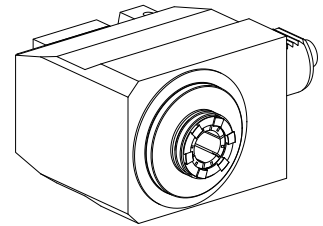


## Milling unit VDI 40 1:1 ER32

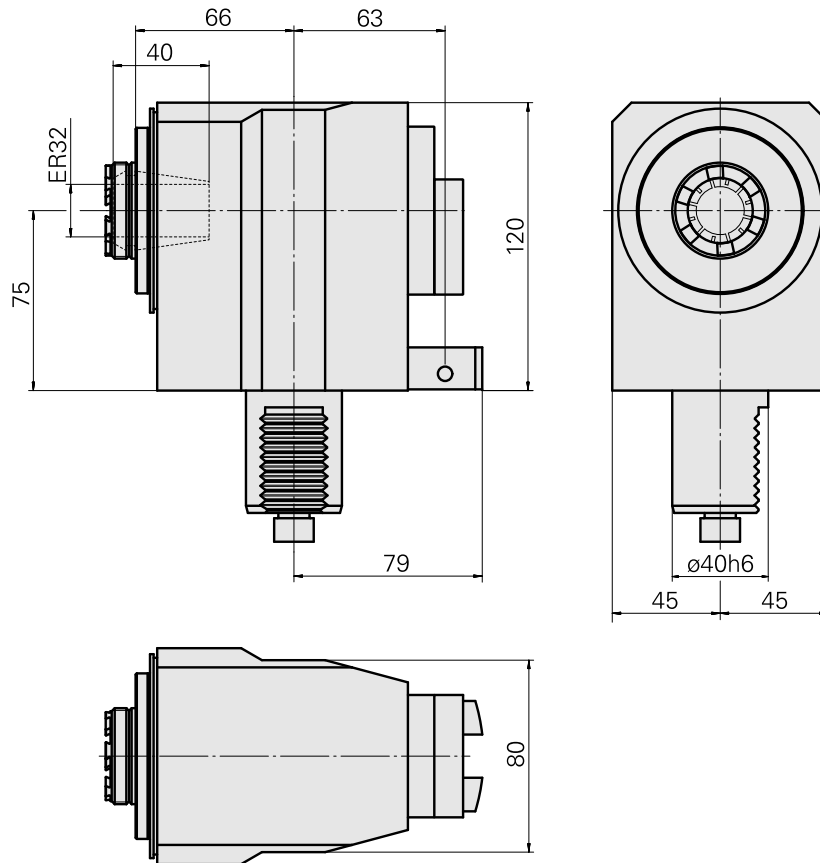
### Technical data

<b>Shank VDI</b>	VDI 40
<b>Drive</b>	Spline shaft B17x14
<b>Fixation VDI</b>	Aligning system
<b>Speed ratio</b>	1:1
<b>Cooling</b>	internal, external optional
<b>Pressure</b>	40 bar
<b>Mounting</b>	ER32
<b>reversible 180°</b>	no
<b>Direction</b>	same as drive direction
<b>X [mm]</b>	75 (2.95")
<b>Y [mm]</b>	–
<b>Z [mm]</b>	66 (2.60)
<b>INDEX TRAUB products</b>	TNA400



### Note

No dry-run permitted!



## Documents

No downloads available for this product

## Accessories

Required for operation

### [Spanner](#)

Product ID : 10174063

Previous product ID : 325767

TH accessories category Tool	Mounting ER32	Collet type ER 32	Clamping nut type Male thread
Tools for Collet chucks Clamping nut wrench			

## Optional accessories

### Tool holder accessories

### [Coolant tube, L=100 mm \(3.93"\)](#)

Product ID : 10309869

Previous product ID : W9990658

TH accessories category Cooling lubricant tube	Mounting D6
---	----------------

### [Clamping nut](#)

Product ID : 10322936

Previous product ID : 325950

TH accessories category Clamping nut	Mounting ER32	Collet type ER 32	Clamping nut type Male thread
---	------------------	----------------------	----------------------------------

### Other accessories

10517805  
W1465001

**INDEX**

---

[Clamping collet](#)

Product ID : 10187712  
Previous product ID : 901930.6---

---

[tapping tool collet ET-1-32](#)

Product ID : 10640099  
Previous product ID : 3242--

---

[tapping tool collet](#)

Product ID : 10601144  
Previous product ID : WZ9990.9509F

---

[Collet chuck](#)

Product ID : 10659178  
Previous product ID : W999068-

---

[Screw cap](#)

Product ID : 10737191  
Previous product ID : 471513.06

---