

## Mount VDI25

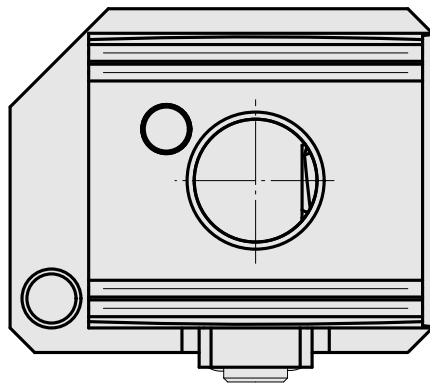
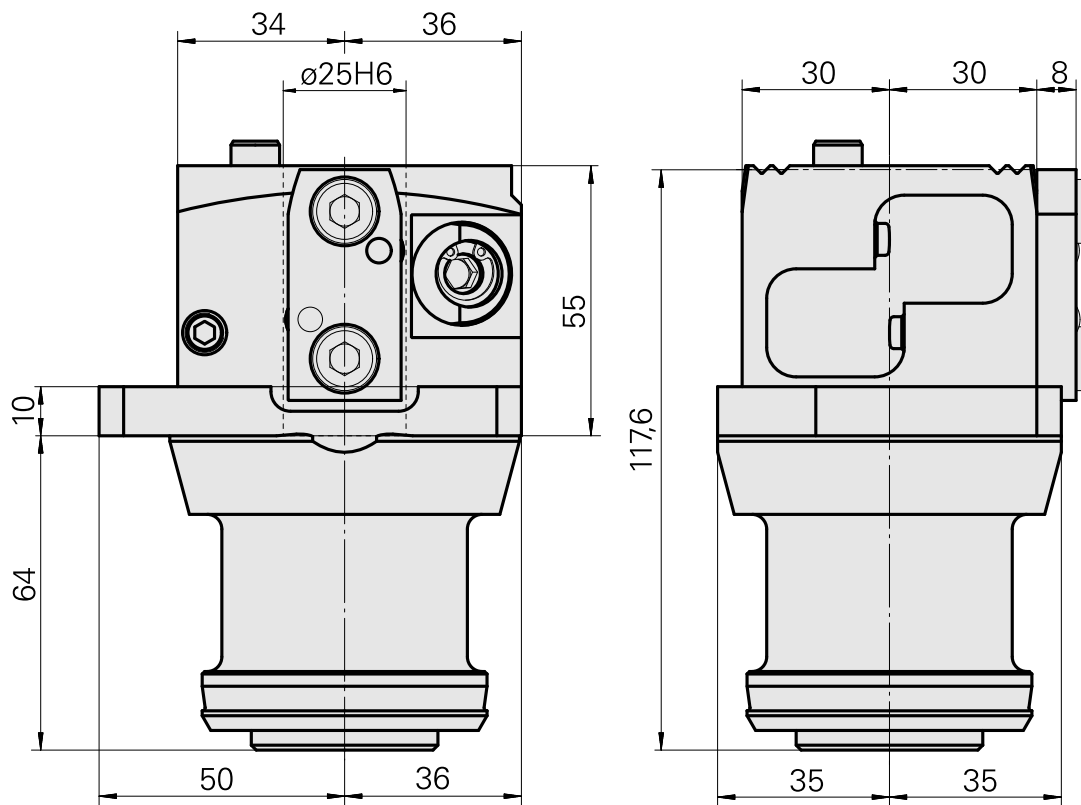
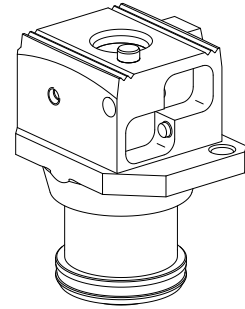
### Technical data

TH accessories category

Adapter pre-adjustment block

Tool mounting

VDI 25



## **Documents**

No downloads available for this product