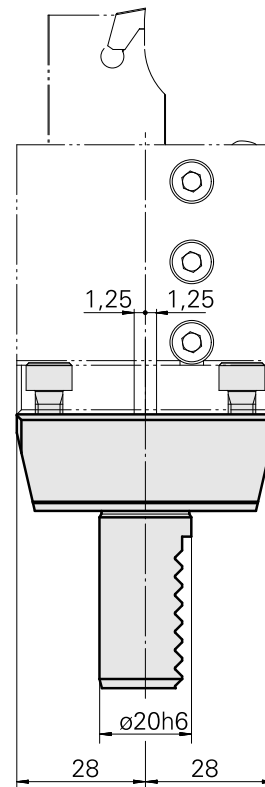
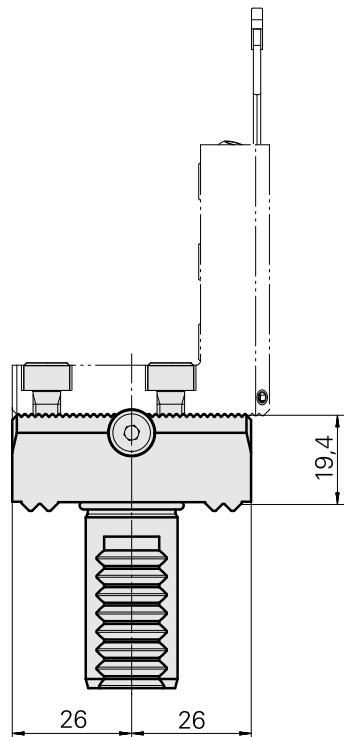
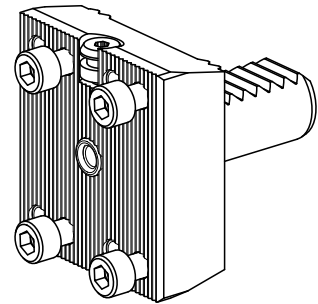


Basic holder VDI 20, vertically adjustable

Technical data

Shank VDI	VDI 20
Drive	not live
Fixation VDI	W serration
Pressure	80 bar
reversible 180°	no
X [mm]	19.4 (0.76")
Y [mm]	–
Z [mm]	–
INDEX TRAUB products	C100



Documents

No downloads available for this product

Accessories

Optional accessories

Tool holders with VDI shank

[Grooving tool holding block Trapezoid 26, vertically adjustable](#)

Product ID : 10379601

Previous product ID : W9990003

Drive not live	Cooling external	Pressure 20 bar	Mounting Trapezoid 26x4
X [mm] 59 (2.32")	Y [mm] –	Z [mm] 18.5 (0.73)	INDEX TRAUB products C100

[Grooving tool holding block Trapezoid 26, vertically adjustable](#)

Product ID : 10976276

Previous product ID : W9990004

Drive not live	Cooling external	Pressure 20 bar	Mounting Trapezoid 26x4
X [mm] 59 (2.32")	Y [mm] –	Z [mm] 18.5 (0.73)	INDEX TRAUB products C100