

## Presetting device

### Technical data

TH accessories category

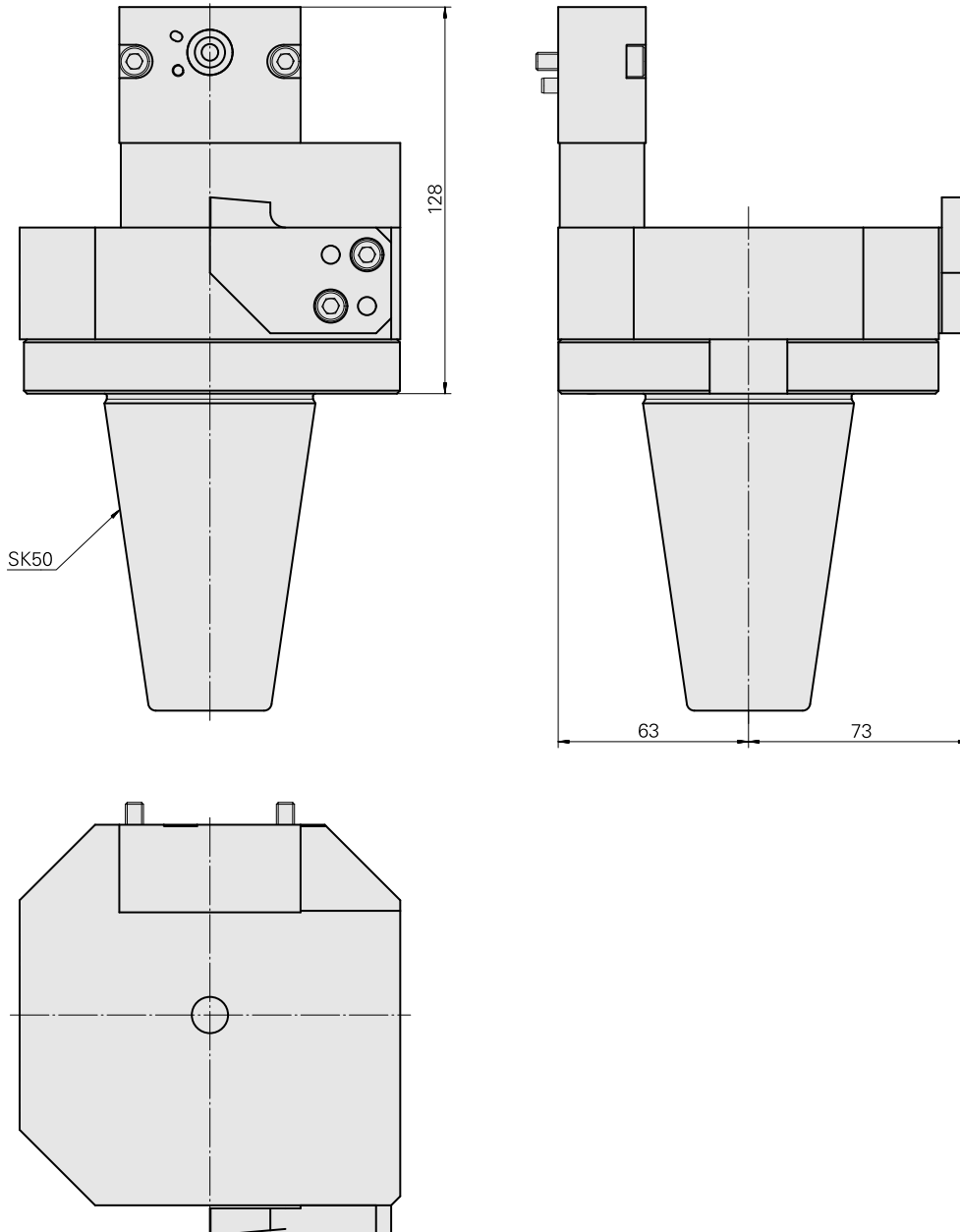
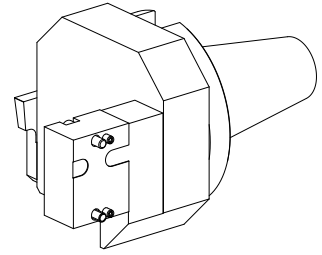
Adapter for presetting units

Mounting

SK50

Tool mounting

MS16 DrillGroovBlock



## Documents

No downloads available for this product

## Accessories

Optional accessories

**Tool holder accessories**

[Adapter plate, Rotated 90°](#)

Product ID : 10630218

Previous product ID : W9990900

TH accessories  
category  
Plate rear drilling unit  
MS16