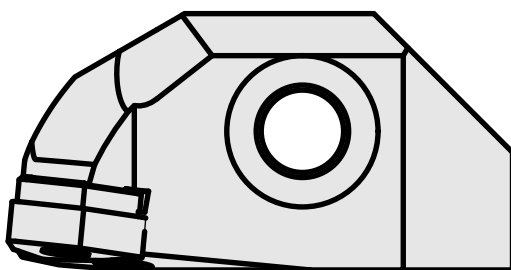
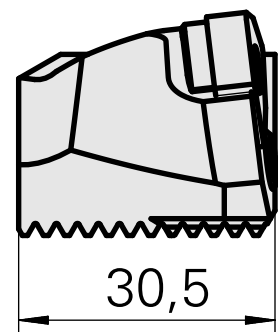
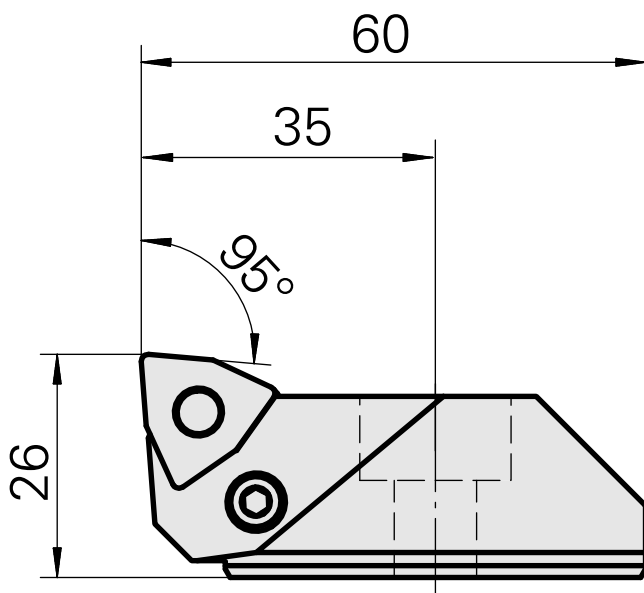
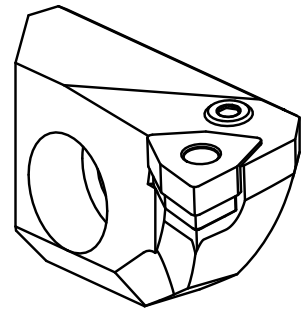


## Boring head

### Technical data

Cooling	internal
Pressure	50 bar
X [mm]	26 (1.02")
Z [mm]	35 (1.38)
INDEX TRAUB products	G420 • G520 • G320.2 • G220.3 • TNX220.3



## **Documents**

No downloads available for this product