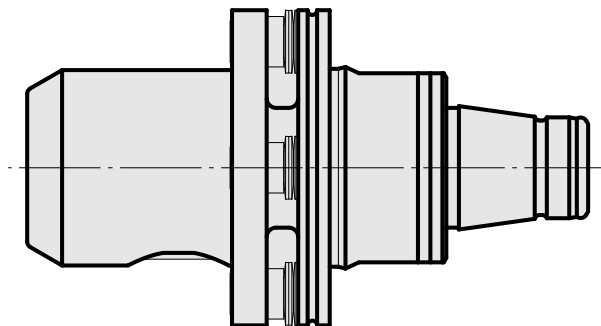
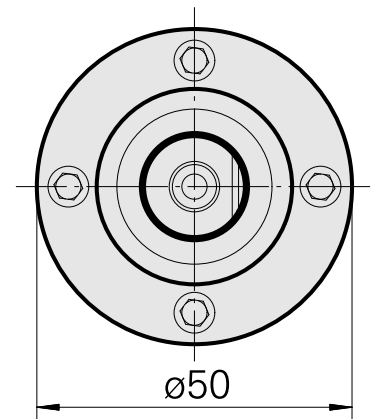
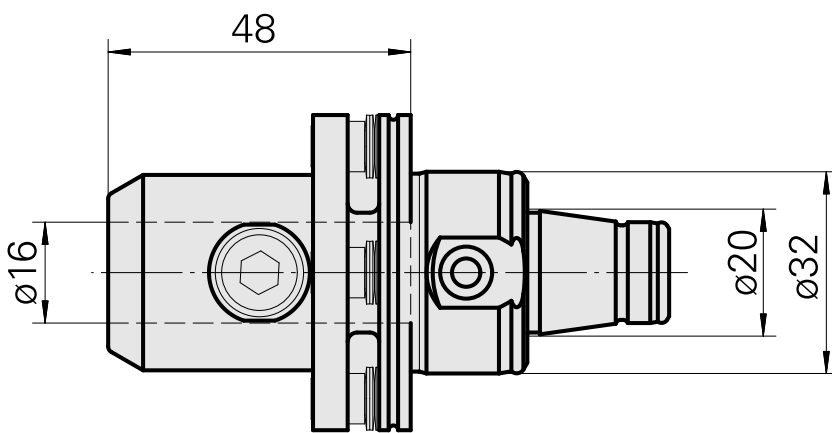
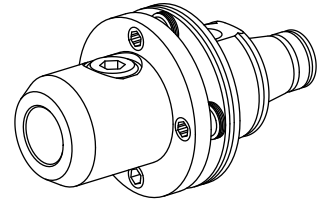


## WFB 32-20 D16, Pendulum

### Technical data

|                         |                 |
|-------------------------|-----------------|
| TH accessories category | WFB 32-20       |
| Mounting                | D16             |
| Quick change inserts    | Weldon mounting |



## **Documents**

No downloads available for this product

## **Accessories**

Optional accessories

### **Other accessories**

[Mounting sleeve with collar D16](#)

Product ID : 10914323

Previous product ID : W67511.04--

---