

Adaptor

Technical data

TH accessories category

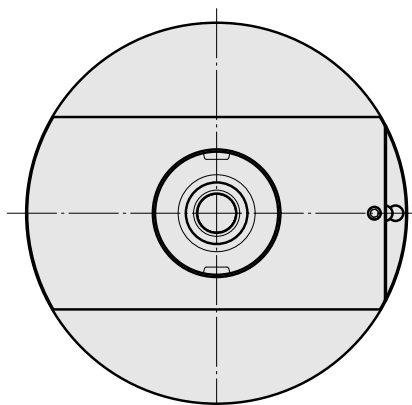
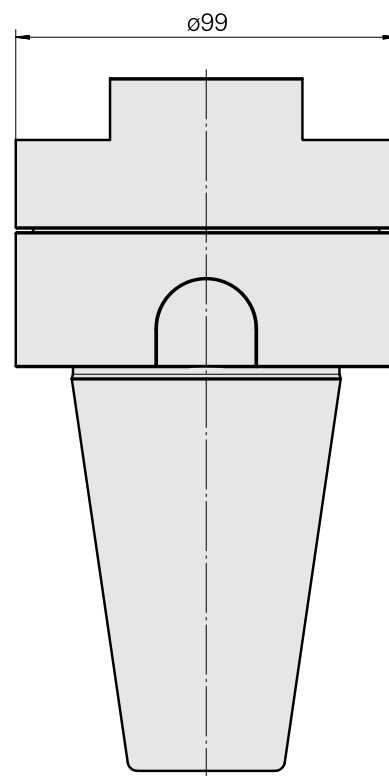
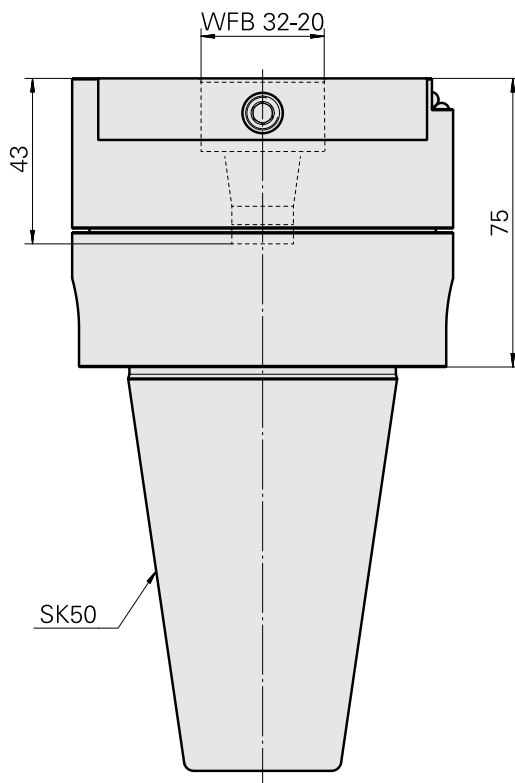
Adapter for presetting units

Mounting

SK50

Tool mounting

WFB 32-20



Documents

No downloads available for this product