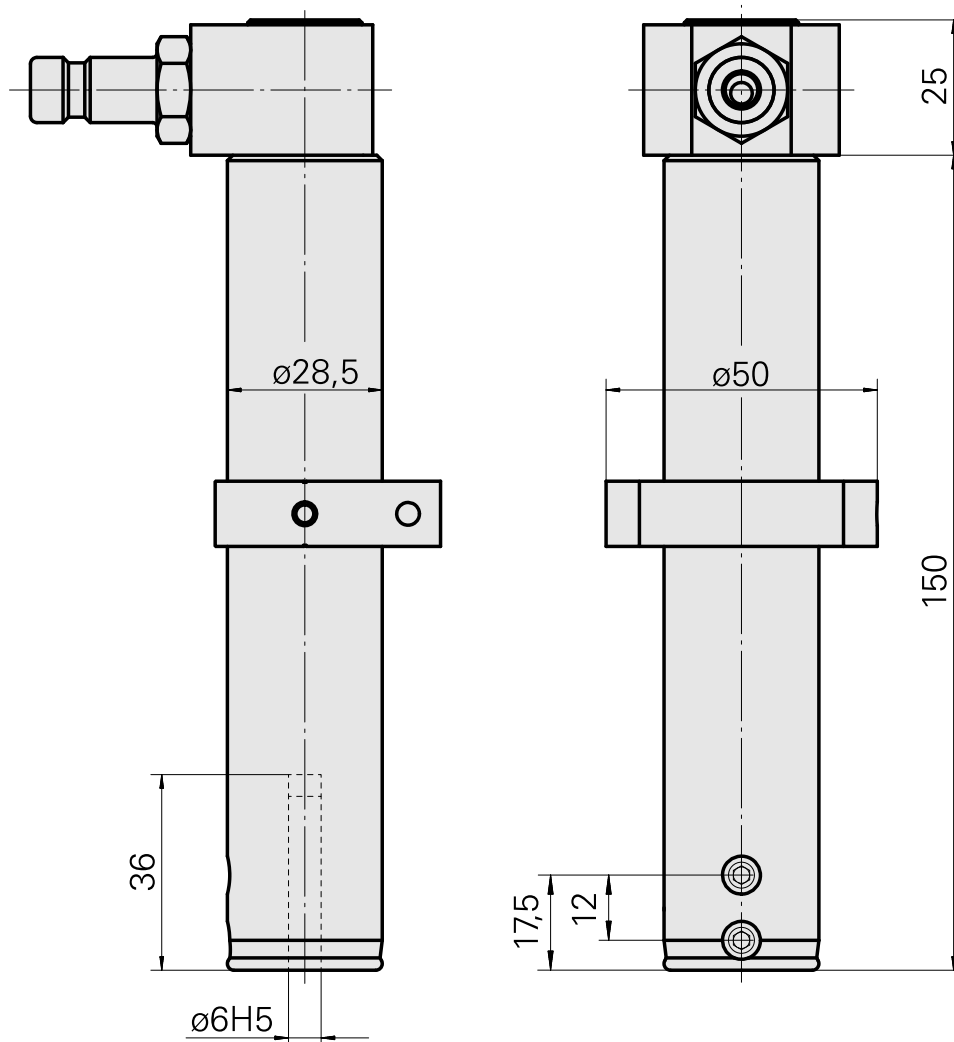
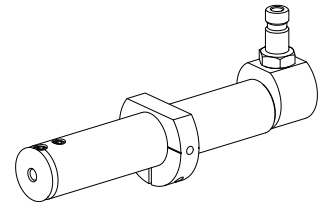


## Drilling tool holder D6

### Technical data

|                      |                                                           |
|----------------------|-----------------------------------------------------------|
| Drive                | not live                                                  |
| Fixation MS          | Clamping ring D28.5                                       |
| Cooling              | internal                                                  |
| Pressure             | 80 bar                                                    |
| Mounting             | D6                                                        |
| X [mm]               | -                                                         |
| Y [mm]               | -                                                         |
| Z [mm]               | -                                                         |
| INDEX TRAUB products | A100 • MS16-6 • MS22-6 •<br>MS22-8 • MS24-6 • MS16-6 Plus |



## Documents

No downloads available for this product

## Accessories

Optional accessories

### Other accessories

#### [QUICK COUPLING SP-006-0-WR513-11-2 Serie LP](#)

Product ID : 10837142

Previous product ID : 474940.0112

---

#### [QUICK DISCONNECT FITTING SP-006-1-WR013-11 Serie LP](#)

Product ID : 10186287

Previous product ID : 474946.25

---