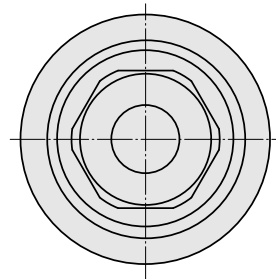
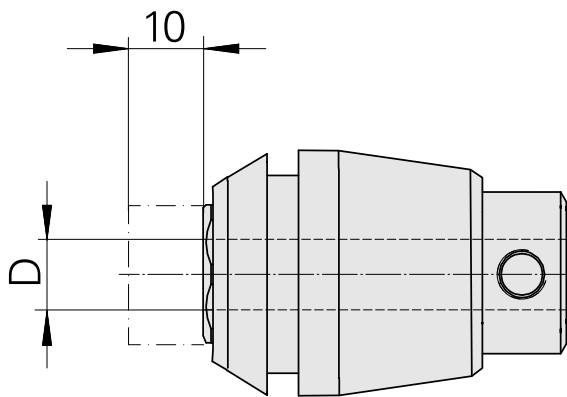


ER-Collet chuck for taps ET 1-32 12mm

Technical data

| | |
|-------------------------|--------------------------|
| TH accessories category | ER-Collet chuck for taps |
| Mounting | ER32 |
| Tool mounting | 12mm |
| Collet type | ET 1-32 |



10170598
324262

INDEX

Documents

No downloads available for this product