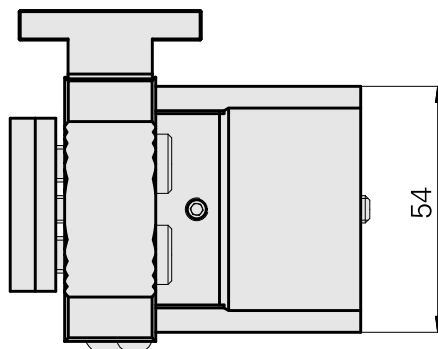
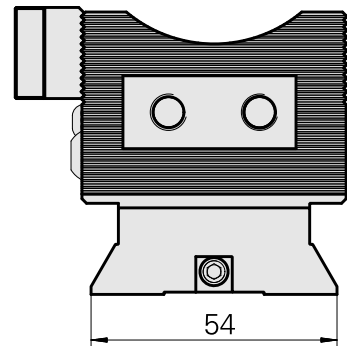
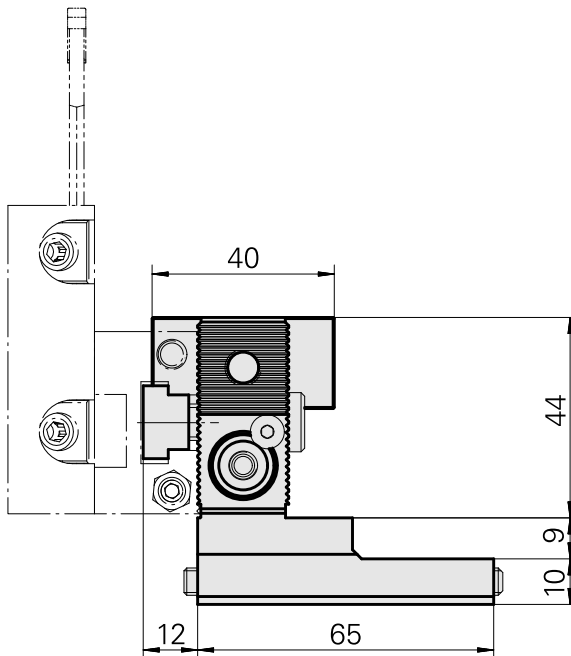
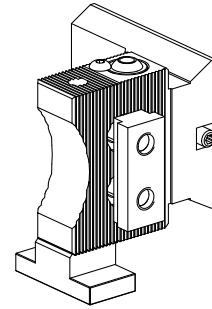


Basic holder Dovetail (ABC), adjustable

Technical data

Shank VDI	Dovetail (ABC)
Drive	not live
Fixation VDI	none
Pressure	20 bar
reversible 180°	yes
X [mm]	52 (2.05")
Y [mm]	–
Z [mm]	10 (0.39)
INDEX TRAUB products	ABC • ABC.2



Documents

No downloads available for this product

Accessories

Optional accessories

Tool holders with VDI shank

[Grooving tool holding block Trapezoid 16, vertically adjustable](#)

Product ID : 10531179

Previous product ID : W9990074

Drive not live	Cooling external	Mounting Trapezoid 16x3	X [mm] 20 (0.79")
Y [mm] –	Z [mm] 25 (0.98)	INDEX TRAUB products C42/65 • G160 • ABC • C100 • C200 • G200 • G200.2 • G220 • ABC.2	

[Grooving tool holding block Trapezoid 20, vertically adjustable](#)

Product ID : 10518257

Previous product ID : W9990075

Drive not live	Cooling external	Mounting Trapezoid 20x4	X [mm] 20 (0.79")
Y [mm] –	Z [mm] 25 (0.98)	INDEX TRAUB products C42/65 • G160 • ABC • C100 • C200 • G200 • G200.2 • G220 • ABC.2	

Grooving tool holding block Trapezoid 26, vertically adjustable

Product ID : 10777825

Previous product ID : W9990069

Drive not live	Cooling external	Mounting Trapezoid 26x5	X [mm] 47.5 (1.87")
Y [mm] -	Z [mm] 28.5 (1.12)	INDEX TRAUB products C42/65 • G160 • G300 • ABC • B400 • C100 • C200 • G200 • G200.2 • G220 • G250 • TNX65/42 • TNA400.2 • ABC.2 • G300.2 • G320.2 • B400.3 • TNA400.3 • G320.3 compact	

Grooving tool holding block Trapezoid 32, vertically adjustable

Product ID : 10778011

Previous product ID : W9990071

Drive not live	Cooling external and internal	Pressure 20 bar	Mounting Trapezoid 32x5
X [mm] 60 (2.36")	Y [mm] -	Z [mm] 32 (1.26)	INDEX TRAUB products C42/65 • G160 • ABC • C100 • C200 • G200 • G200.2 • G220 • ABC.2

Grooving tool holding block Trapezoid 32, vertically adjustable

Product ID : 11026512

Previous product ID : W9990038

Drive not live	Cooling external and internal	Pressure 20 bar	Mounting Trapezoid 32x5
X [mm] 60 (2.36")	Y [mm] -	Z [mm] 32 (1.26)	INDEX TRAUB products C42/65 • G160 • ABC • C100 • C200 • G200 • G200.2 • G220 • ABC.2

Knurling tool holding block D6 (0.24 ")

Product ID : 10442459

Previous product ID : W9990154

Drive not live	Fixation VDI none	Mounting D6	X [mm] 38 (1.50")
Y [mm] -	Z [mm] 20 (0.79)	INDEX TRAUB products G160 • G300 • ABC • C100 • C200 • G200 • G200.2 • G220 • G250 • ABC.2	

Grooving tool holding block square 16x10, vertically adjustable

Product ID : 10331903

Previous product ID : W9990073

Drive not live	Mounting Square 16x10	X [mm] 20 (0.79")	Y [mm] -
Z [mm] 18 (0.71)	INDEX TRAUB products C42/65 • G160 • ABC • C100 • C200 • G200 • G200.2 • G220 • ABC.2		

Grooving tool holding block Square 16x16, vertically adjustable

Product ID : 10770991

Previous product ID : W9990072

Drive not live	Mounting Square 16x16	X [mm] 20 (0.79")	Y [mm] -
Z [mm] 17 (0.67)	INDEX TRAUB products C42/65 • G160 • G300 • ABC • B400 • C100 • C200 • G200 • G200.2 • G220 • G250 • TNX65/42 • TNA400.2 • ABC.2 • G300.2 • G320.2 • B400.3 • TNA400.3 • G320.3 compact		

Grooving tool holding block Square 16x16, vertically adjustable

Product ID : 11004141

Previous product ID : W9990064

Drive not live	Mounting Square 16x16	X [mm] 40 (1.57")	Y [mm] -
Z [mm] 40 (1.57)	INDEX TRAUB products C42/65 • G160 • G300 • ABC • B400 • C100 • C200 • G200 • G200.2 • G220 • G250 • TNX65/42 • TNA400.2 • ABC.2 • G300.2 • G320.2 • B400.3 • TNA400.3 • G320.3 compact		

Grooving tool holding block square 20x20, vertically adjustable

Product ID : 10799021

Previous product ID : W9990245

Drive not live	Mounting Square 20x20	reversible 180° yes	X [mm] 37 (1.46")
Y [mm] -	Z [mm] 28 (1.10)	INDEX TRAUB products ABC • ABC.2	

Grooving tool holding block square 20x20, vertically adjustable

Product ID : 10976603

Previous product ID : W9990246

Drive not live	Mounting Square 20x20	reversible 180° yes	X [mm] 45 (1.77")
Y [mm] -	Z [mm] 28 (1.10)	INDEX TRAUB products ABC • ABC.2	

Grooving tool holding block Trapezoid 26, vertically adjustable

Product ID : 10227285

Previous product ID : W9990076

Drive not live	Mounting Trapezoid 26x5	X [mm] 20 (0.79")	Y [mm] -
Z [mm] 32 (1.26)	INDEX TRAUB products C42/65 • G160 • G300 • ABC • B400 • C100 • C200 • G200 • G200.2 • G220 • G250 • TNX65/42 • TNA400.2 • ABC.2 • G300.2 • G320.2 • B400.3 • TNA400.3 • G320.3 compact		

Grooving tool holding block Trapezoid 26, vertically adjustable

Product ID : 10049220

Previous product ID : W9990066

Drive not live	Mounting Trapezoid 26x5	X [mm] 47.5 (1.87")	Y [mm] -
Z [mm] 32 (1.26)	INDEX TRAUB products C42/65 • G160 • G300 • ABC • B400 • C100 • C200 • G200 • G200.2 • G220 • G250 • TNX65/42 • TNA400.2 • ABC.2 • G300.2 • G320.2 • B400.3 • TNA400.3 • G320.3 compact		

Grooving tool holding block Trapezoid 26, vertically adjustable

Product ID : 10410270

Previous product ID : W9990067

Drive not live	Mounting Trapezoid 26x5	X [mm] 47.5 (1.87")	Y [mm] -
Z [mm] 32 (1.26)	INDEX TRAUB products C42/65 • G160 • G300 • ABC • B400 • C100 • C200 • G200 • G200.2 • G220 • G250 • TNX65/42 • TNA400.2 • ABC.2 • G300.2 • G320.2 • B400.3 • TNA400.3 • G320.3 compact		

Other accessories

SPRAY NOZZLE 14D/M6

Product ID : 10358770

Previous product ID : 474550.0121

Lens head screw

Product ID : 10344546

Previous product ID : 410243.0406

Tube

Product ID : 12017926

Previous product ID :
