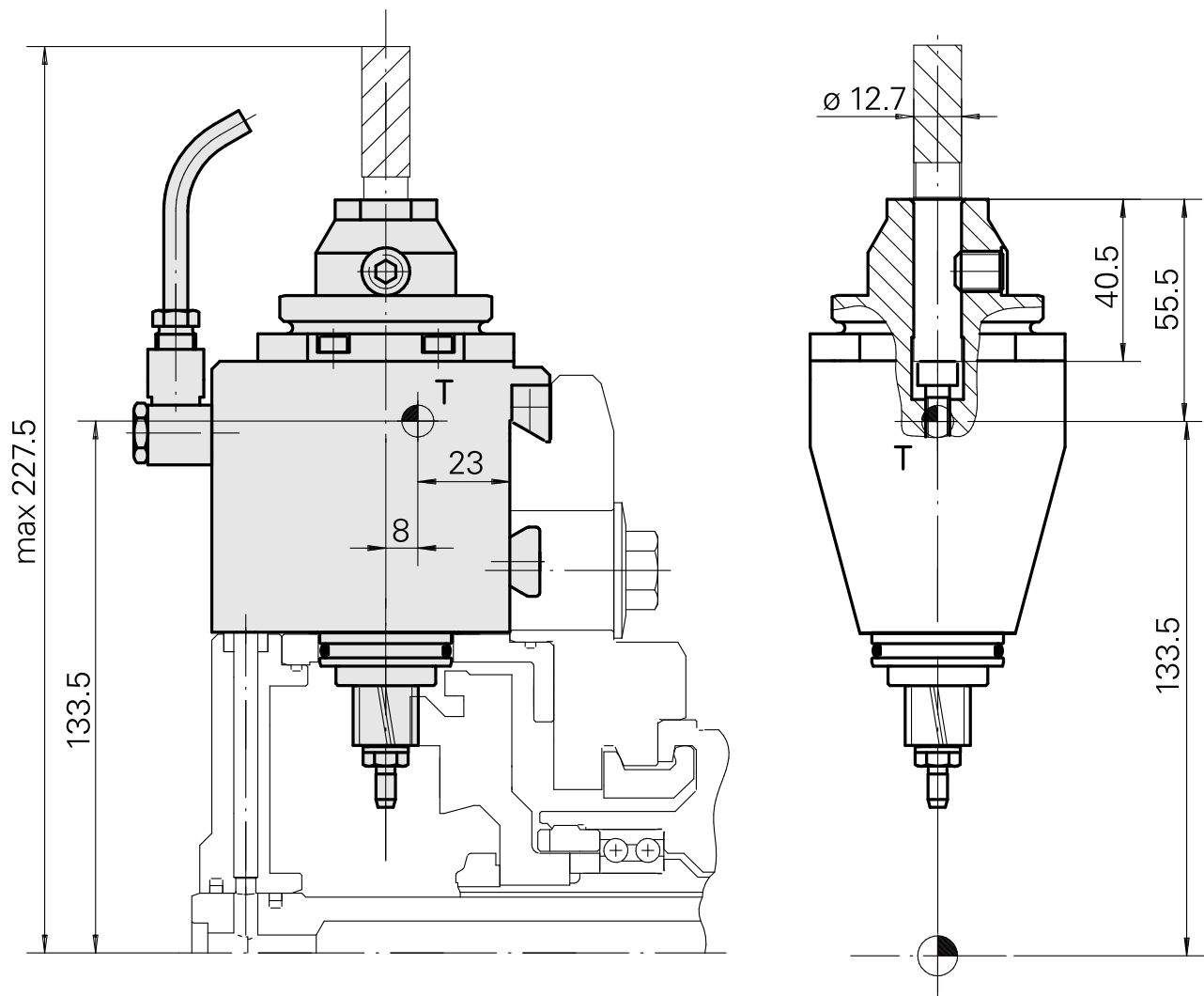


## Milling unit Circular prism 1:1 D12.7 (0)

### Technical data

<b>Shank TNL</b>	Circular prism
<b>Drive</b>	Overall drive
<b>Fixation TNL</b>	Central tensioning screw
<b>Speed ratio</b>	1:1
<b>Cooling</b>	external
<b>Pressure</b>	30 bar
<b>Mounting</b>	D12.7
<b>INDEX TRAUB products</b>	TNK36 • TNL26



## Documents

No downloads available for this product

## Accessories

Optional accessories

### Other accessories

#### [Tube 100LG](#)

Product ID : 10929574

Previous product ID : 818617

---

#### [Cap screw 406-612](#)

Product ID : 10067675

Previous product ID : 314740

---

#### [Conical ring 6D](#)

Product ID : 10057204

Previous product ID : 314739

---

#### [Multiple swivel joint M10X1/M10X1/VOG / 506-140](#)

Product ID : 10829996

Previous product ID : 314431

---