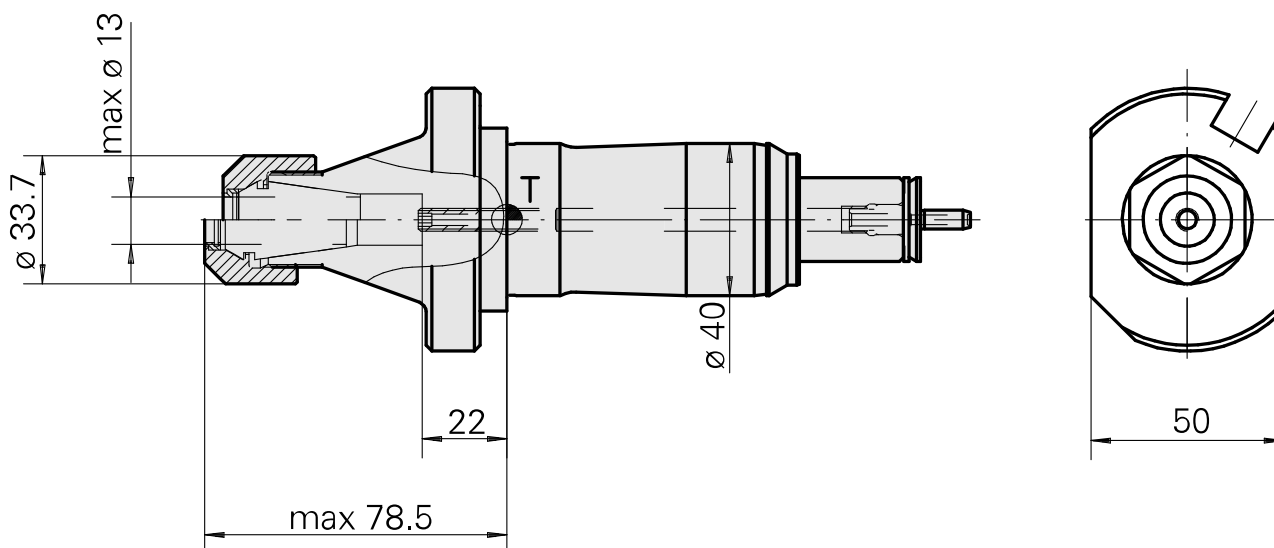
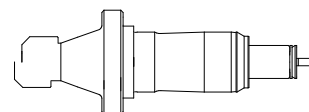


## Drilling tool holder Shank 40 ER20

### Technical data

<b>Shank TNL</b>	Shank 40
<b>Drive</b>	not live
<b>Cooling</b>	internal
<b>Pressure</b>	120 bar
<b>Mounting</b>	ER20
<b>INDEX TRAUB products</b>	TNK36 • TNL26



---

## Documents

No downloads available for this product

## Accessories

Required for operation

### [Spanner](#)

Product ID : 10603529

Previous product ID : 490219.0201

TH accessories category Tool	Mounting ER20	Collet type ER 20	Clamping nut type Female thread
Tools for Collet chucks Clamping nut wrench			

### Optional accessories

#### Tool holder accessories

### [Clamping nut, for internal cooling lubricant supply](#)

Product ID : 10031711

Previous product ID : 901939.3201

TH accessories category Clamping nut	Mounting ER20	Collet type ER 20	Clamping nut type Female thread
---	------------------	----------------------	------------------------------------

#### Other accessories

### [Clamping collet](#)

Product ID : 10863981

Previous product ID : 901930.2---

---

### [tapping tool collet ET-1-20](#)

Product ID : 10418139

Previous product ID : 3234--

---

10120256  
984514

**INDEX**

---

[Collet chuck](#)

Product ID : 10135002  
Previous product ID : W999066-

---

[Clamping collet, sealed](#)

Product ID : 10919110  
Previous product ID : W999084-

---

[Sealing washer](#)

Product ID : 11043453  
Previous product ID : W999038-

---