

## INDEX CAPTO C3 for DN.. 1104.., left, with gripper groove

### Technical data

TH accessories category

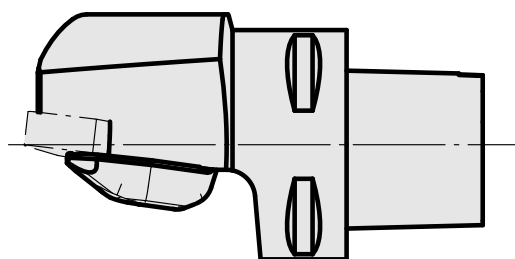
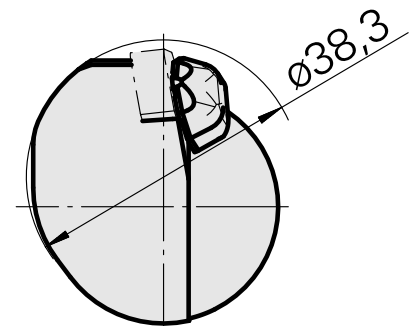
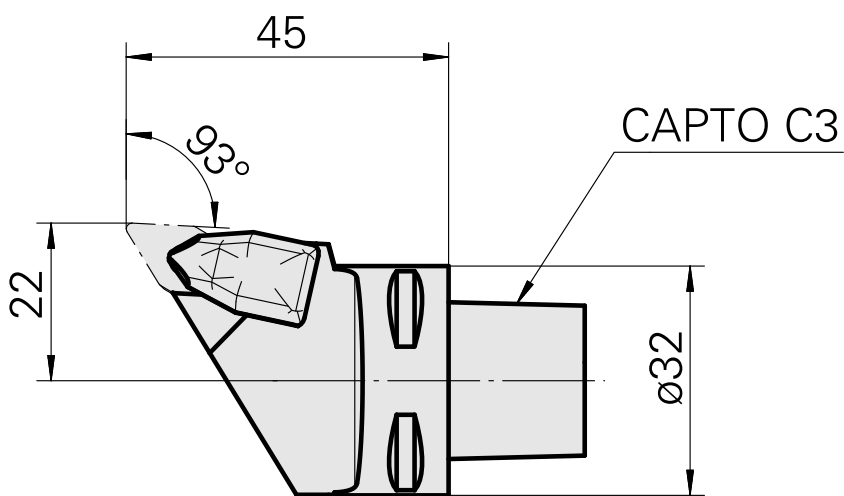
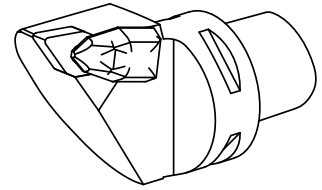
INDEX CAPTO C3

Mounting

for DN.. 1104..

Quick change inserts

Turning tool holder



## **Documents**

No downloads available for this product