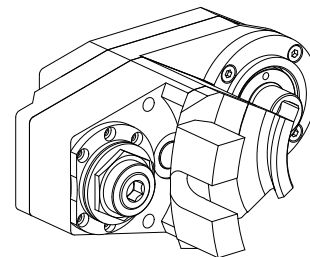


## Circular saw unit Circular prism 4,18:1, 640 rpm

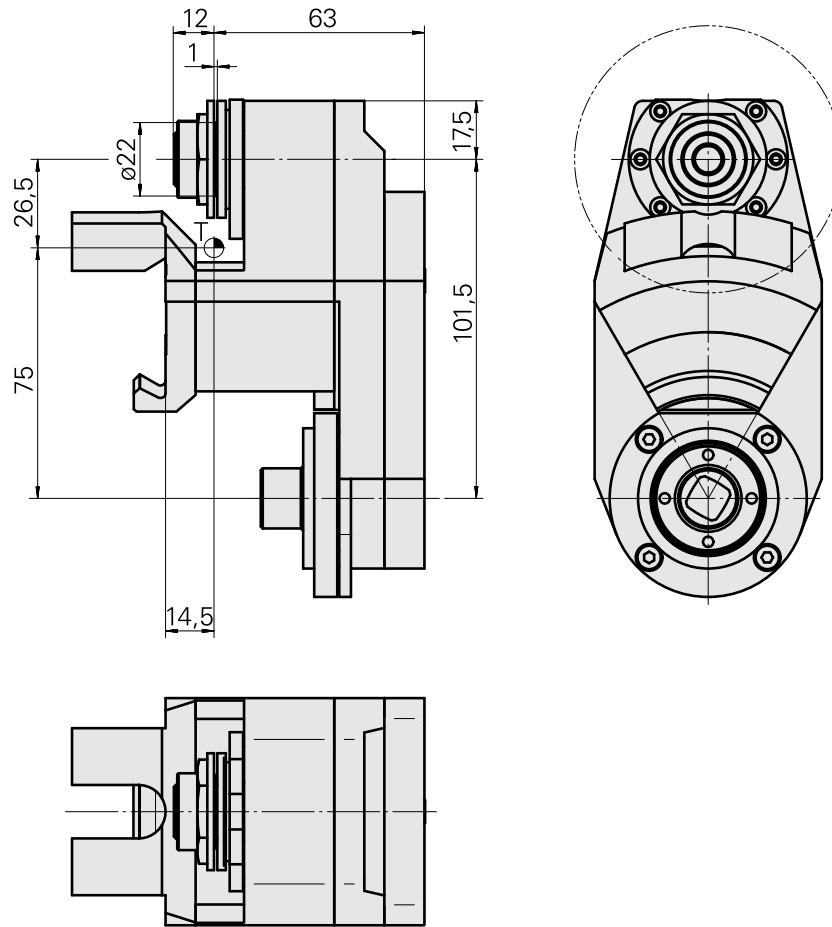
### Technical data

<b>Shank TNL</b>	Circular prism
<b>Drive</b>	Spur gear TRAUB TNL12
<b>Fixation TNL</b>	Central tensioning screw
<b>Speed ratio</b>	4,18:1
<b>Mounting</b>	Milling shaft D22
<b>reversible 180°</b>	no
<b>Direction</b>	same as drive direction
<b>X [mm]</b>	26.5 (1.04")
<b>Y [mm]</b>	–
<b>Z [mm]</b>	12 (0.47)
<b>INDEX TRAUB products</b>	TNL12 • TNL12.2



### Note

The maximum diameter of the side milling cutter is 80 mm! Adjacent stations can only be used to a limited extent!



## **Documents**

No downloads available for this product

## **Accessories**

Optional accessories

**Other accessories**

### [Saw blade](#)

Product ID : 10961996

Previous product ID : 223010.63--

---