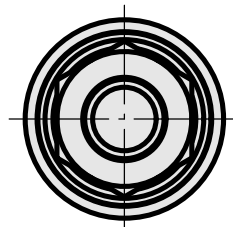
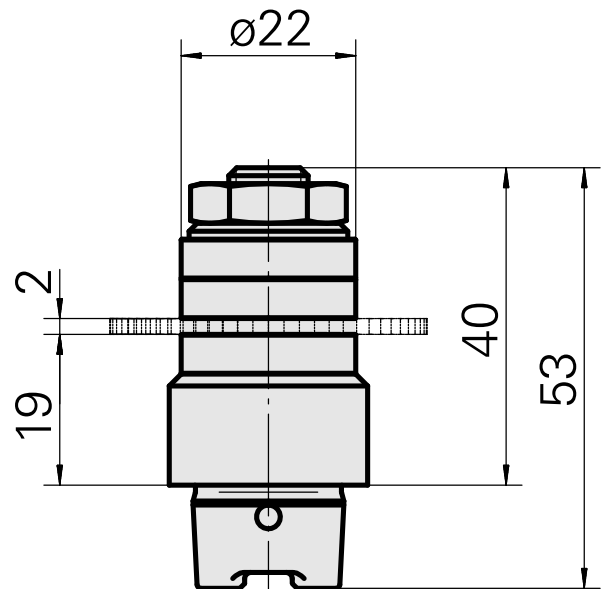
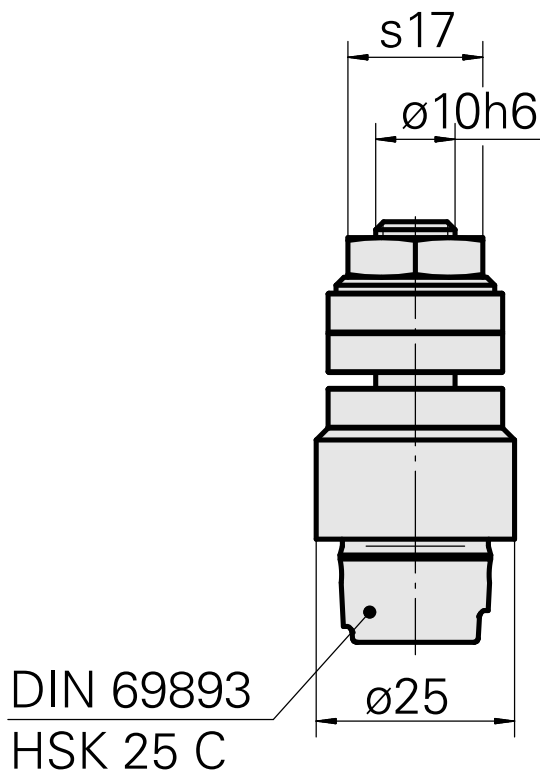
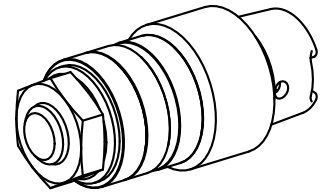


## Milling cutter holder HSK 25 C Milling s

### Technical data

|                      |                          |
|----------------------|--------------------------|
| Shank HSK            | HSK 25                   |
| Form HSK             | C                        |
| Mounting             | Milling shaft D10        |
| Cooling              | internal                 |
| Pressure             | 40 bar                   |
| X [mm]               | 19 (0.75")               |
| INDEX TRAUB products | MS22-6 • MS22-8 • MS16-6 |



## **Documents**

No downloads available for this product