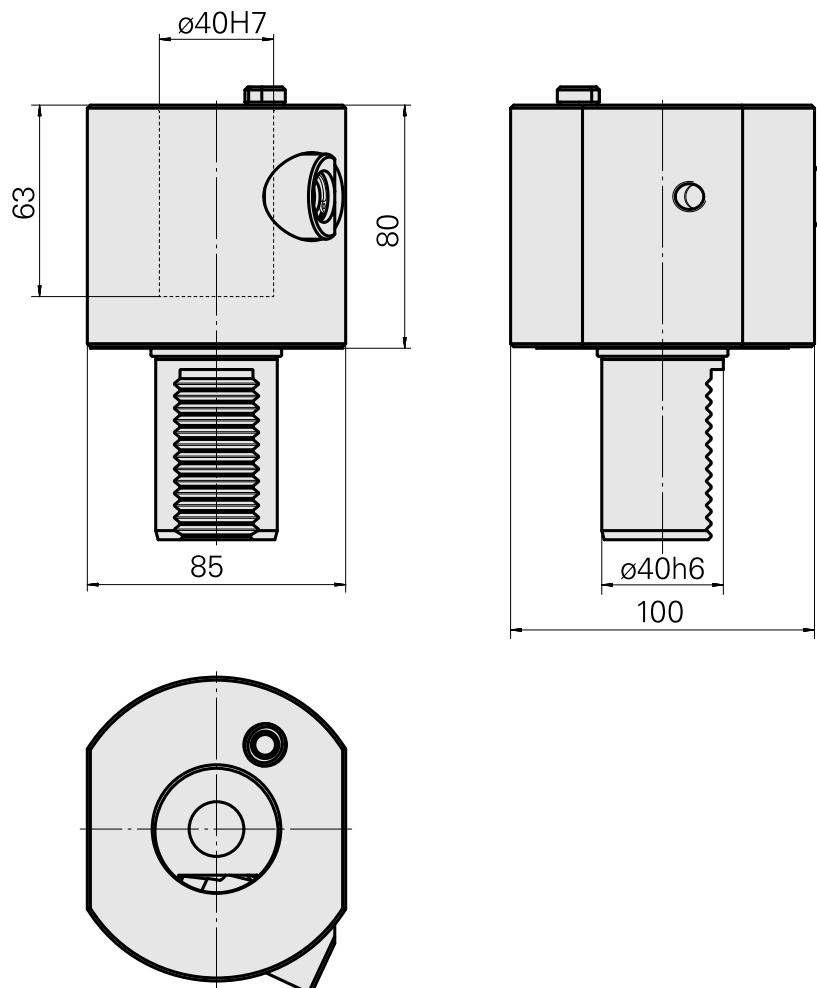
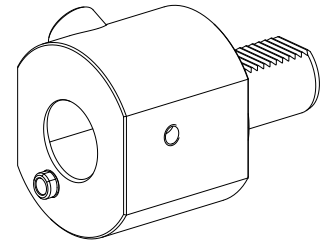


Compensation holder VDI 40 VDI 40

Technical data

Shank VDI	VDI 40
Drive	not live
Fixation VDI	none
Cooling	external
Pressure	40 bar
Mounting	VDI 40
reversible 180°	no
X [mm]	80 (3.15")
Y [mm]	—
Z [mm]	—
INDEX TRAUB products	V200 • V160C • V160G • V300



Documents

No downloads available for this product

Accessories

Optional accessories

Other accessories

[Not defined](#)

Product ID : 10504091

Previous product ID : WL3300.9140F
