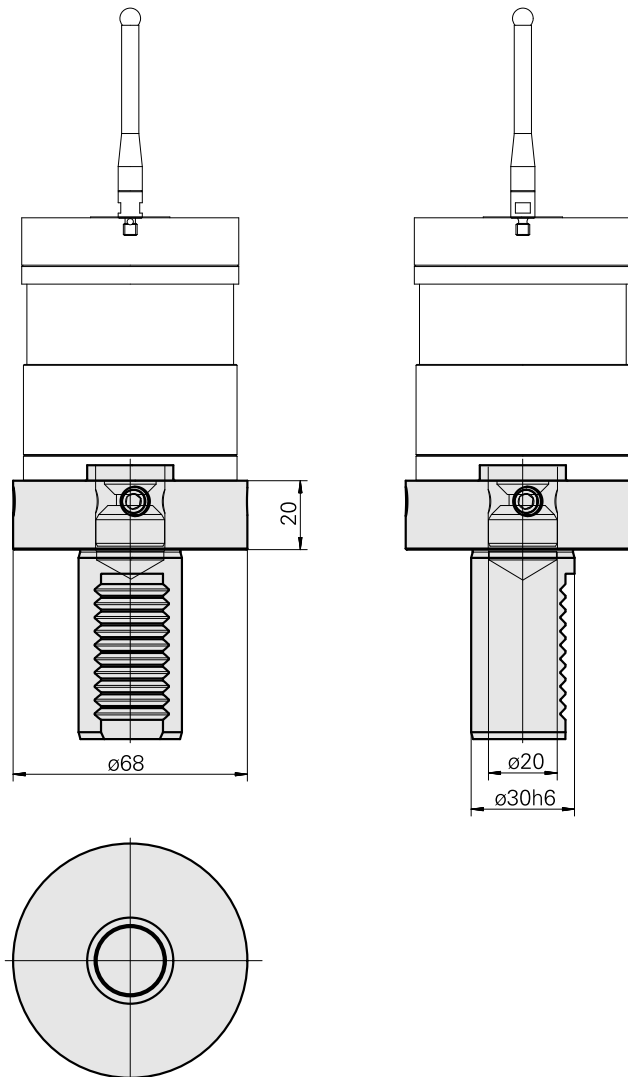
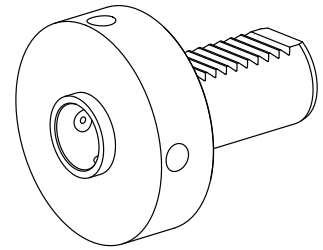


## Probe holder VDI 30 Renishaw D20

### Technical features

Shank VDI	VDI 30
Drive	not live
Fixation VDI	none
Mounting	Renishaw D20
reversible 180°	no
X [mm]	20 (0.79")
Y [mm]	–
Z [mm]	–
Tool turret type	Radial turret



## Documents

No downloads available for this product

## Accessories

Required for operation

### [Probe holder](#)

Product ID : 12146926

Previous product ID :

---

### [Push-button insert](#)

Product ID : 12133466

Previous product ID :

---

### [Probe](#)

Product ID : 10338967

Previous product ID : 487542.1441

---

Optional accessories

### Other accessories

### [Case A-2033-7001](#)

Product ID : 10259626

Previous product ID : 487542.0911

---