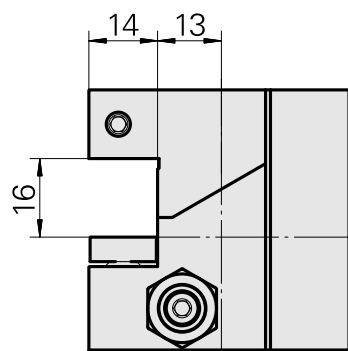
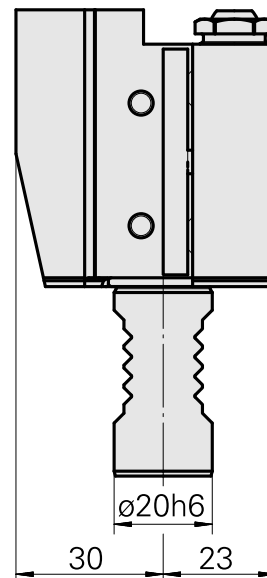
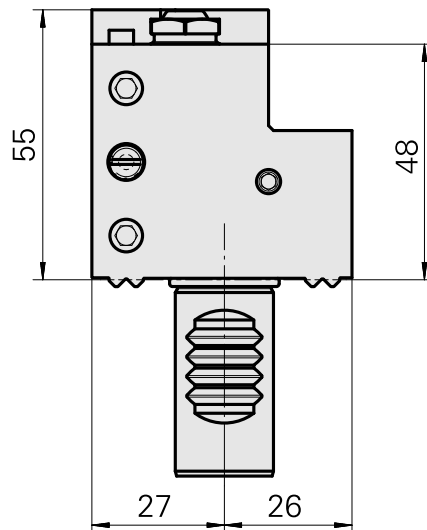
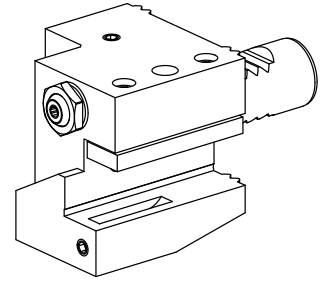


## Turning tool holder VDI 20 square 16x16, Form C1/C4

### Technical data

Shank VDI	VDI 20
Drive	not live
Fixation VDI	W serration
Cooling	external and internal
Pressure	80 bar
Mounting	Square 16x16
reversible 180°	yes
X [mm]	55 (2.17")
Y [mm]	–
Z [mm]	27 (1.06)
Tool turret type	Radial turret
INDEX TRAUB products	C100



## Documents

No downloads available for this product

## Accessories

### Optional accessories

#### Other accessories

#### [BUSHING 10 D x 6 D x 12,5](#)

Product ID : 10670360

Previous product ID : W67530.0824

---

#### [Coolant Nozzle](#)

Product ID : 11031912

Previous product ID : W67500.3208

---

#### [HOLLOW SCREW M14x1 M14x1](#)

Product ID : 10105238

Previous product ID : W67530.0818

---

#### [Sealing kit](#)

Product ID : 12181693

Previous product ID :

---

#### [Blanking plug D12](#)

Product ID : 10532667

Previous product ID : W00015.0021

---